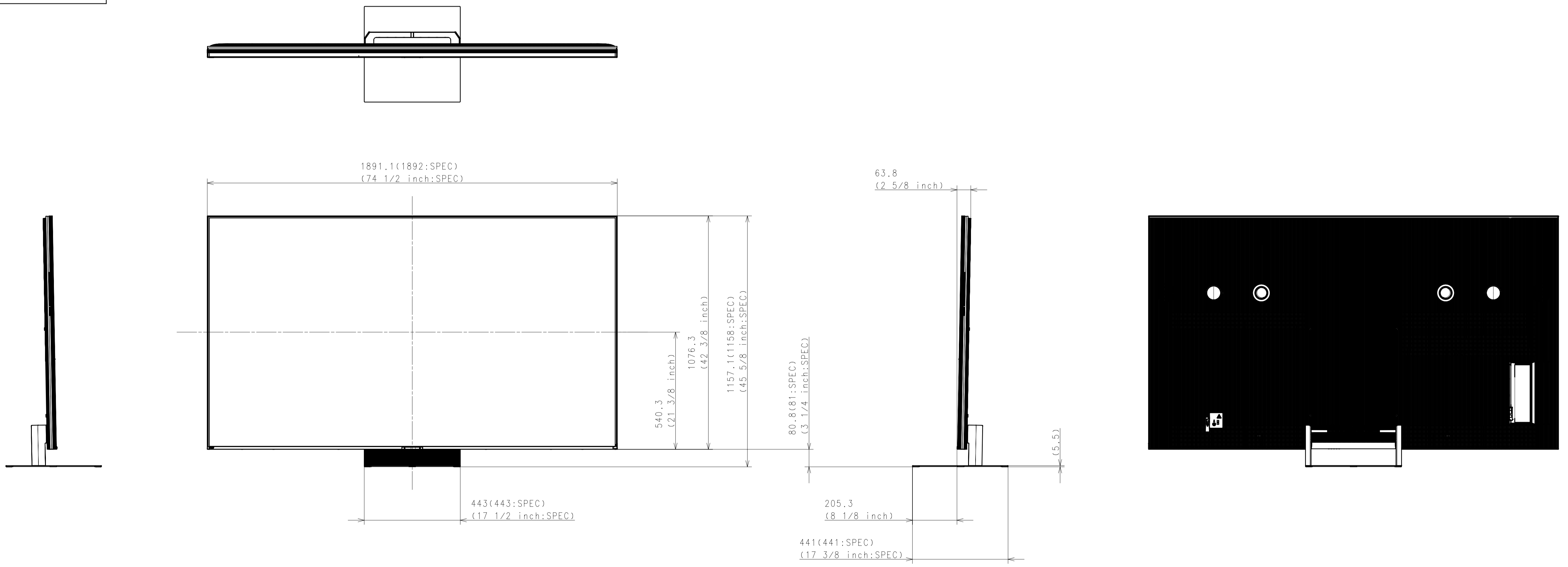


Area		JAPAN	NORTH AMERICA	EUROPE	GENERAL AREA	CHINA
Model Name		K-85XR90M2	K-85XR90M2	K-85XR95M2	K-85XR90M2	K-85XR90M2
SV No.		SV-44399	SV-44287	SV-44389	SV-44325	SV-44372
DIMENSION	TV only (W x H x D)	-	-	-	-	-
	TV only (W x H x D (D-Max))	189.2 x 107.7 x 4.3 (4.6) cm	1892 x 1077 x 43 (46) mm / 74 1/2 x 42 1/2 x 1 3/4 (1 13/16) inch	Approx. 189.2 x 107.7 x 4.3 (4.6) cm	Approx. 1892 x 1077 x 43 (46) mm	Approx. 1892 x 1077 x 43 (46) mm
	TV only with camera (W x H x D)	-	-	-	-	-
	TV with Stand (Standard position) (W x H x D)	189.2 x 115.8 x 44.1 cm	1892 x 1158 x 441 mm / 74 1/2 x 45 5/8 x 17 3/8 inch	Approx. 189.2 x 115.8 x 44.1 cm	Approx. 1892 x 1158 x 441 mm	Approx. 1892 x 1158 x 441 mm
	TV with Stand (Sound bar position) (W x H x D)	-	-	-	-	-
	TV with Stand (Outside) (W x H x D)	-	-	-	-	-
	TV with Stand (Inside) (W x H x D)	-	-	-	-	-
	TV with Stand (Outside for Soundbar) (W x H x D)	-	-	-	-	-
	TV with Stand (Inside for Soundbar) (W x H x D)	-	-	-	-	-
	TV with Stand (Narrow position) (W x H x D)	-	-	-	-	-
	Stand Width (Standard position)	44.3 cm	443 mm / 17 1/2 inch	Approx. 44.3 cm	Approx. 443 mm	Approx. 443 mm
	Stand Width (Sound bar position)	-	-	-	-	-
	Stand Width (Outside)	-	-	-	-	-
	Stand Width (Inside)	-	-	-	-	-
	Stand Width (Narrow position)	-	-	-	-	-
Stand Inner Distance	-	-	-	-	-	
Stand Inner Distance (Inside position)	-	-	-	-	-	
Stand Inner Distance (Outside position)	-	-	-	-	-	
Dimension of Stand (W x H x D)	44.3 x 8.1 x 44.1 cm	443 x 81 x 441 mm / 17 1/2 x 3 1/4 x 17 3/8 inch	Approx. 44.3 x 8.1 x 44.1 cm	Approx. 443 x 81 x 441 mm	Approx. 443 x 81 x 441 mm	
Dimension of Stand (Low) (W x H x D)	-	-	-	-	-	
Dimension of Stand (High) (W x H x D)	-	-	-	-	-	
VESA Hole Pitch	40.0 x 40.0 cm	400 x 400 mm / 15 3/4 x 15 3/4 inch	40.0 x 40.0 cm	400 x 400 mm	400 x 400 mm	
WEIGHT	TV Only	48.2 kg	48.2 kg / 106.2 lb	Approx. 48.2 kg	Approx. 48.2 kg	Approx. 48.2 kg
	TV with Stand	55.8 kg	55.8 kg / 123 lb	Approx. 55.8 kg	Approx. 55.8 kg	Approx. 55.8 kg
Remarks		1 way	1 way	1 way	1 way	1 way

TV with Stand



Purchase recycled resins and wire rods only from the business partners that Sony approves as Green Partners.  
再生樹脂・銅線材はグリーンパートナー認定者からの調達を要します。

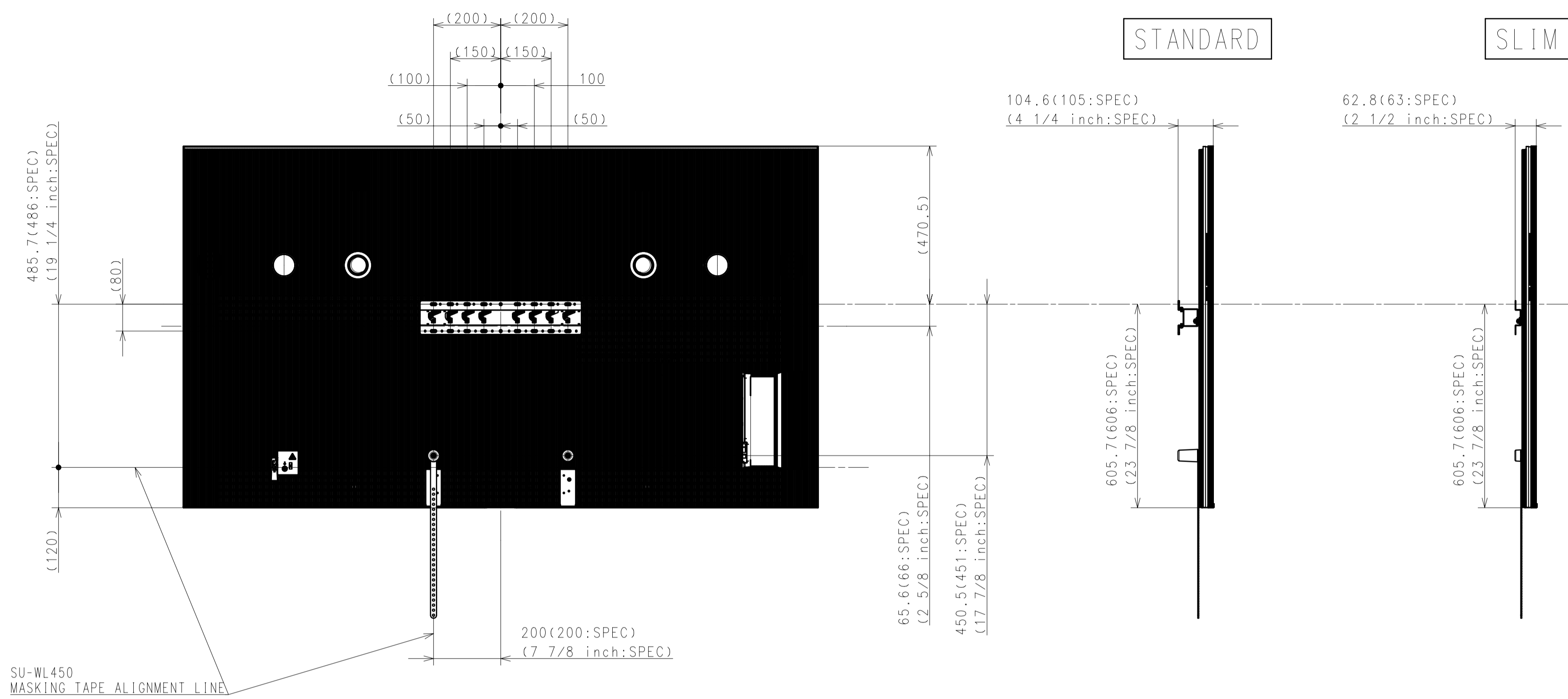
DATE OF ISSUE 2025.12.26	DOCUMENT TYPE ASSEMBLY DRAWING	GENERAL TOLERANCE	(JIS B 0013(ISO 2768))
HISTORY		MATERIAL COLOR	FINISH COLOR
1	2025.12.26		
RESPONSIBLE DEPARTMENT DTC_MD div1 MD_dept6			
PLANNED BY Y. HIRAI		DESIGNED BY	APPROVED BY
DRAWN BY Y. HIRAI		SCALE 1:10	TENTATIVE MODEL
DATE 2025.12.26		PREL. METHOD A1	UNIT mm
ORIGINAL MODEL 85 (XR90M2) EXTERIOR VIEW		DESCRIPTION 85 (XR90M2) EXTERIOR VIEW	
SHEET/PAGES 1 / 4		SUFFIX REV. NO.	



SU-WL450

STANDARD

SLIM



DRAWING

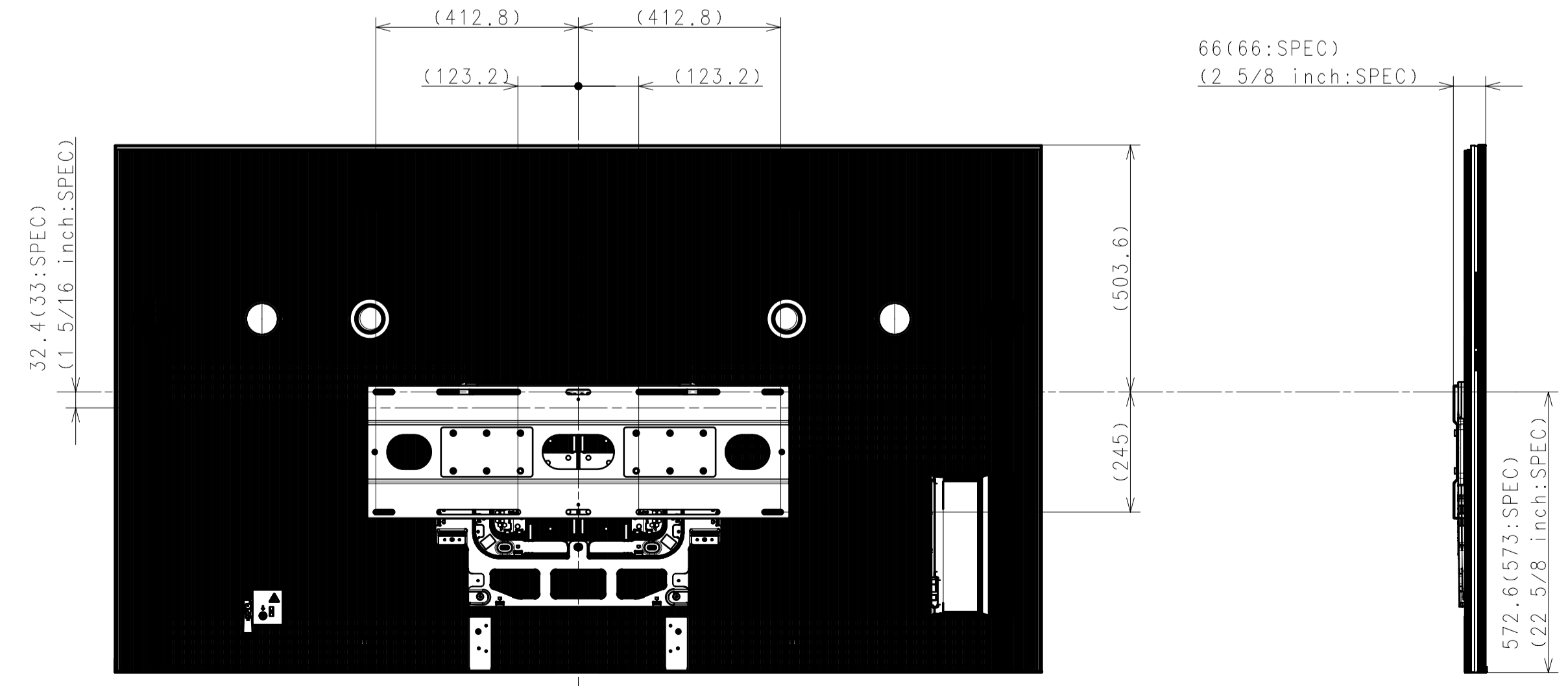
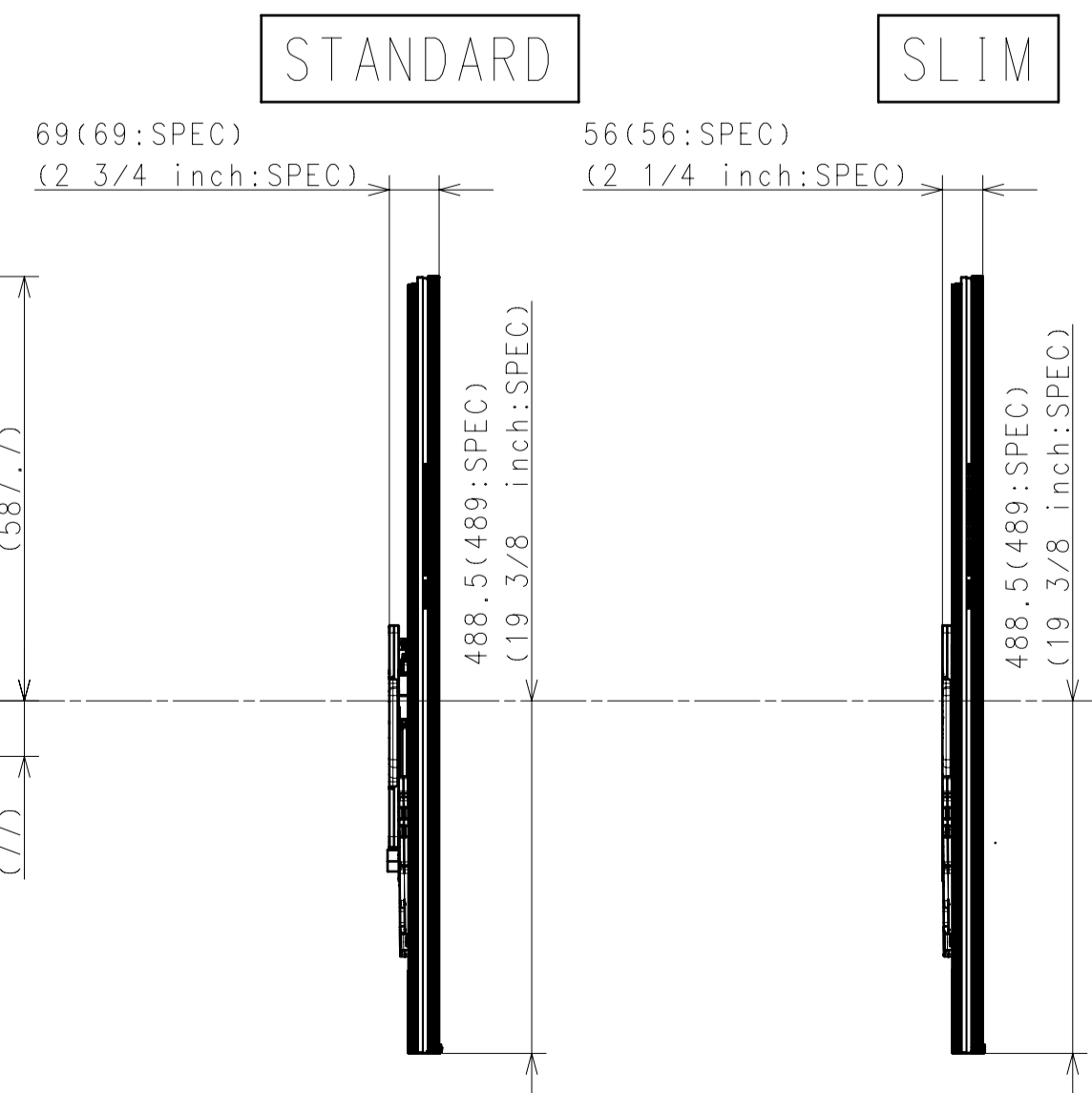
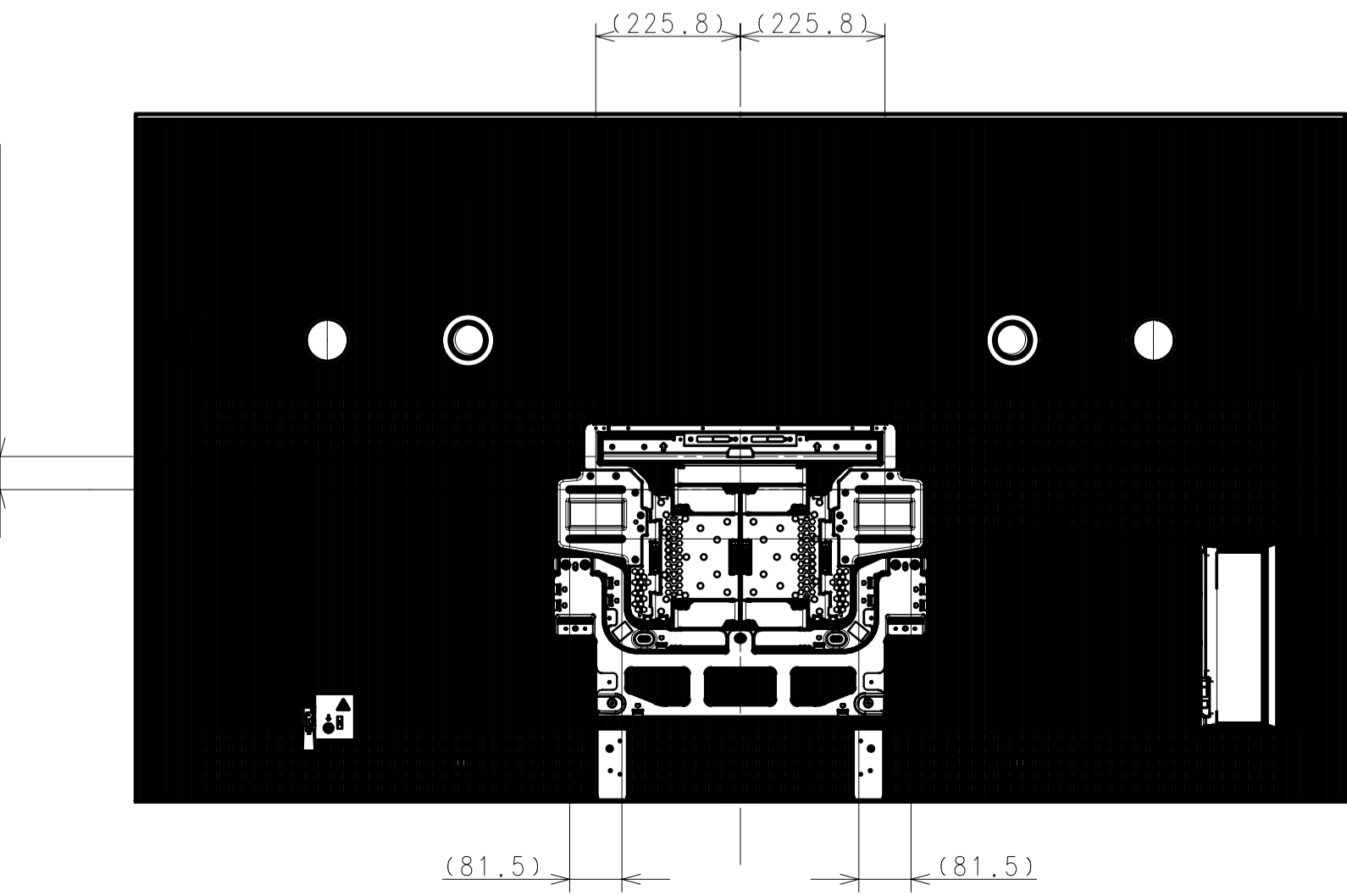
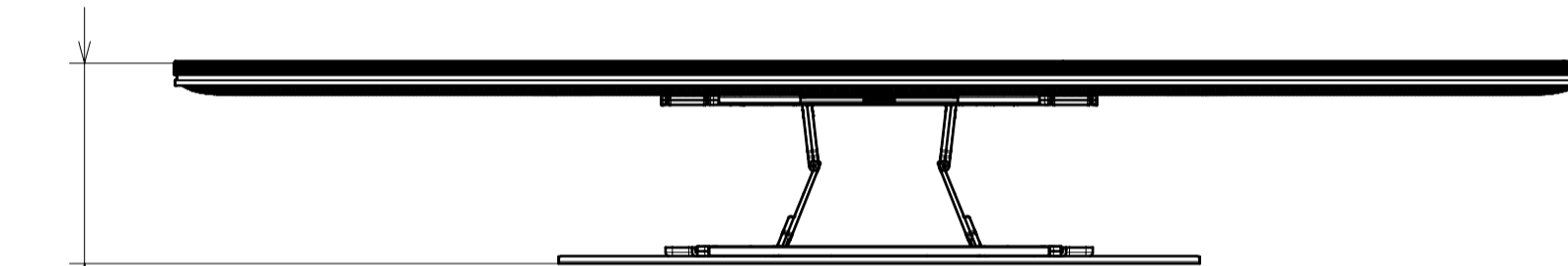
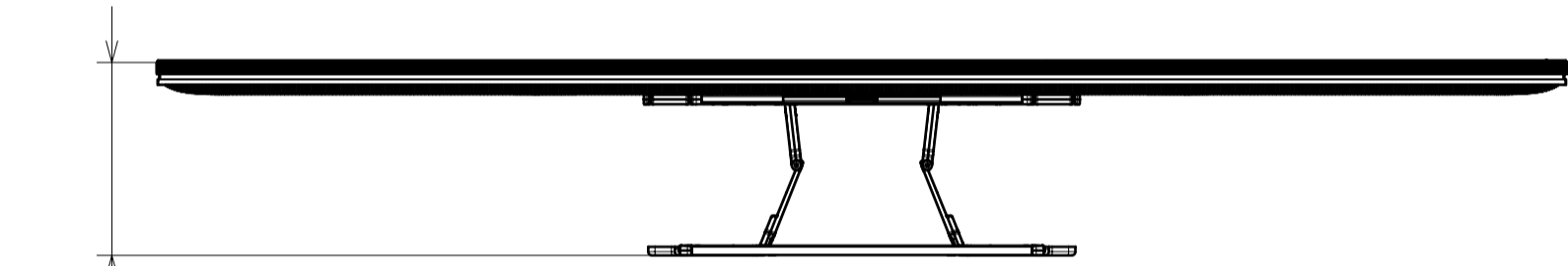
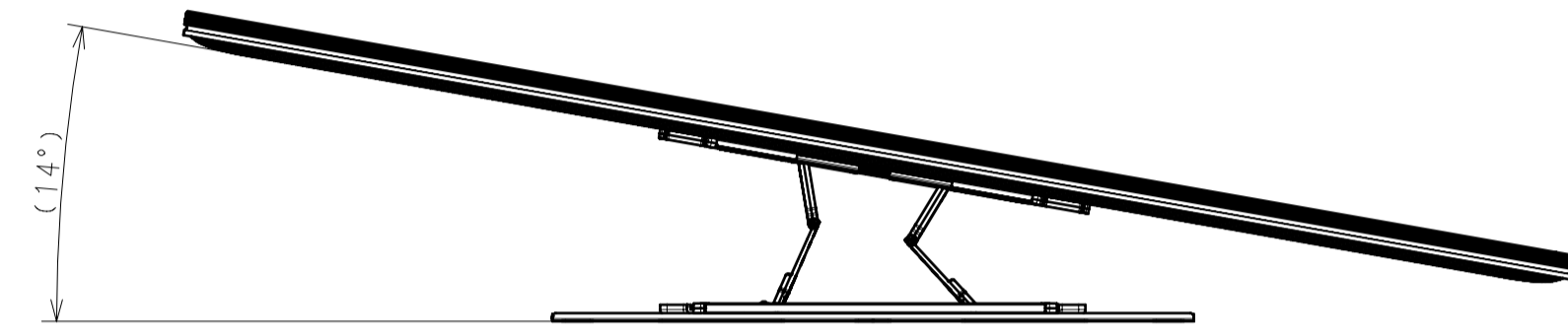
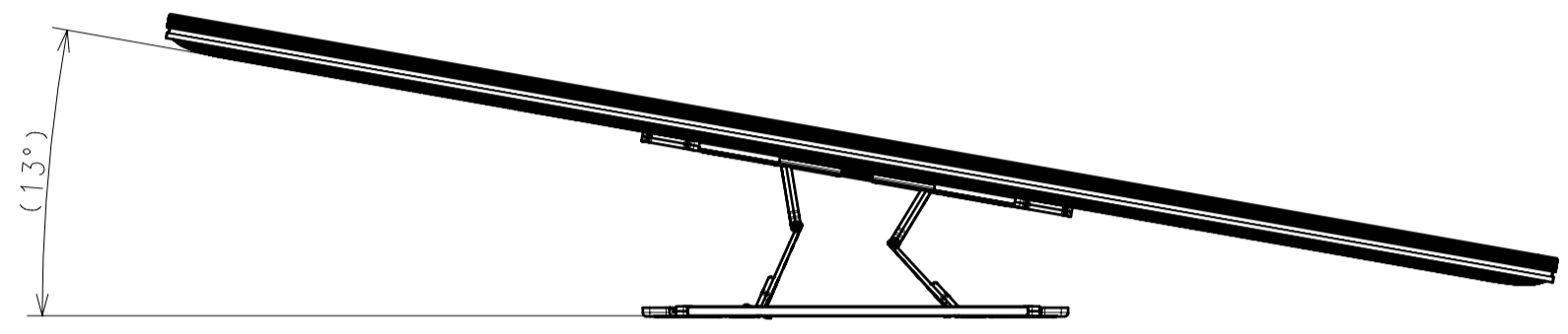
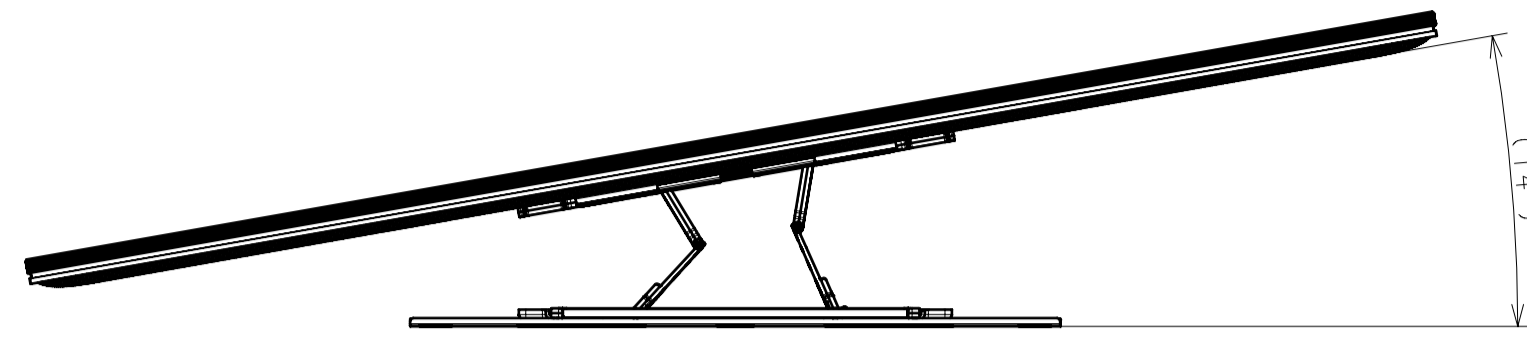
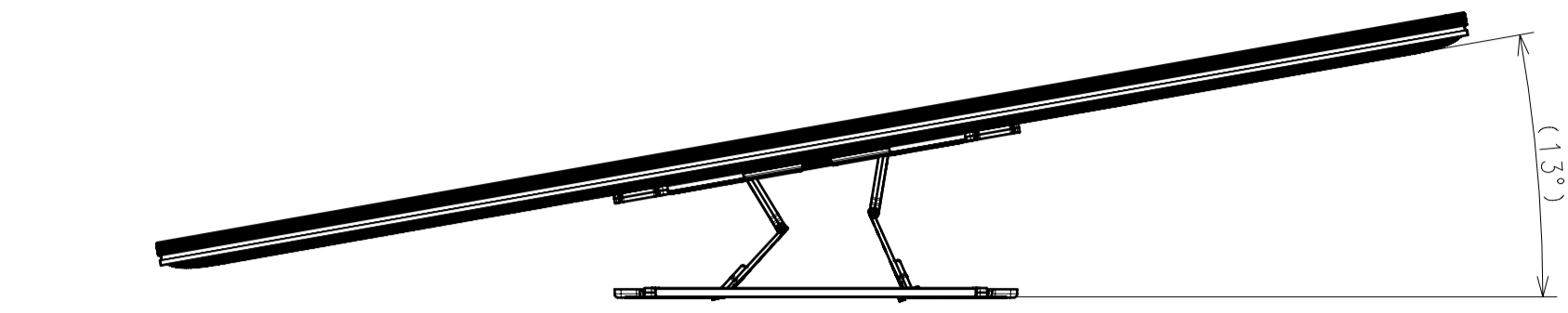
SONY STANDARD

A1 '18.08

DESCRIPTION 1	LEGAL OWNER	SCALE
85 (XR90M2) EXTERIOR VIEW	Sony Corporation	1:10
DESCRIPTION 2	PART NO.	SHEET/PAGES
85 (XR90M2) EXTERIOR VIEW		3 / 4

SU-WL900

SU-WL905



DESCRIPTION 1	85 (XR90M2) EXTERIOR VIEW	LEGAL OWNER	Sony Corporation	SCALE	1:10
DESCRIPTION 2	85 (XR90M2) EXTERIOR VIEW	PART NO.		SHEET/PAGES	4 / 4