

# SMART Series Active Deterrence Bullet Camera TP-MBAD4MA28



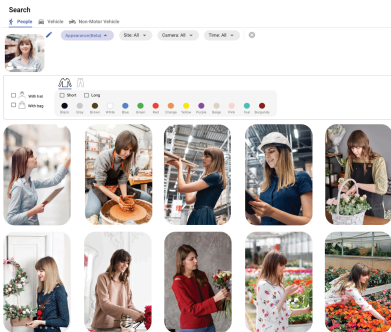
The Smart Series bullet camera **TP-MBAD4MA28** features a 4-megapixel high-resolution sensor and active deterrence capabilities. It supports dual white and IR LED lights and includes blue and red strobe lights for enhanced nighttime security.

## KEY FEATURES

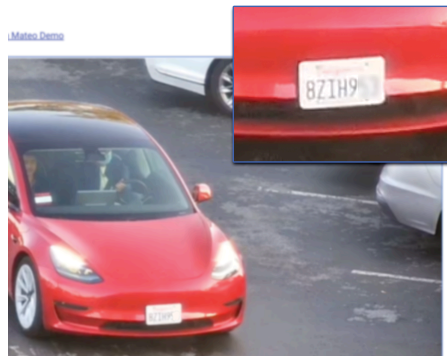
- 4MP high quality sensor with 1/2.7" CMOS
- Active lights and audible deterrence with built-in or audio in microphone and speaker.
- People and vehicle detection on the edge.
- White and IR LED light & blue & red deterrence light
- 130dB true WDR with Intelligent
- Connects to TURING VISION® cloud VMS via Turing Smart Series NVR
- NDAA compliant



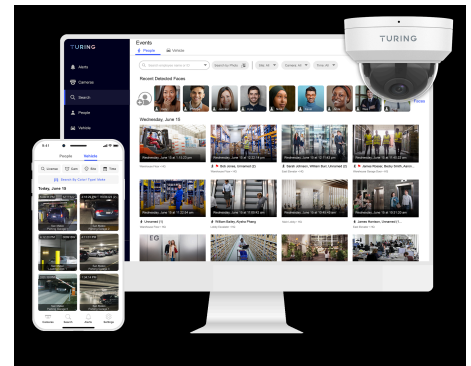
## EMPOWER VIDEO SECURITY WITH TURING VISION® AND CORE AI



People\* & vehicle attribute search



License plate detection and comparison



Customized smart alerts anywhere using Vision apps

\*Activation depends on state regulations and the compliance with Biometric Information Protection Act (BIPA). Please refer to our privacy policy.

Visit [turing.ai/get-core](https://turing.ai/get-core) to find out more about CORE AI





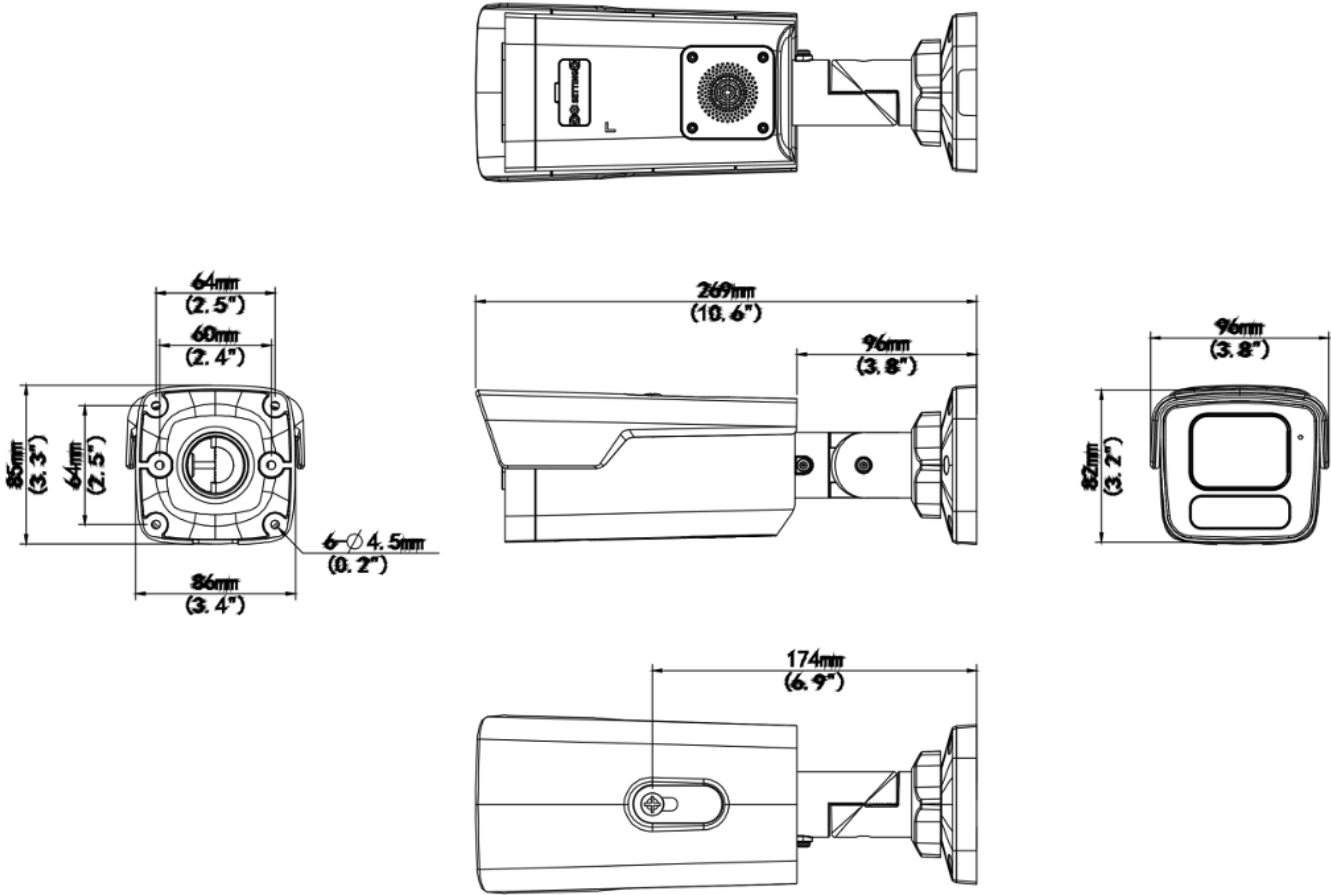
**SPECIFICATIONS**

<b>MODEL NUMBER</b>		<b>TP-MBAD4MA28</b>
<b>TURING VISION ® SUPPORT</b>		
TURING VISION ® Cloud VMS	Included	
Prerequisites	Turing SMART Series NVR & bridge	
CORE AI License	Supported	
<b>VIDEO &amp; AUDIO</b>		
Image sensor	1/2.7" 8MP 16:9 Progressive Scan CMOS	
Lens	<b>Focal Length:</b> 2.8mm @ F1.0; HHOV:102.3°, VHOV:54.7°, DHOV:106.8°	
Minimum Illumination	Color: 0.001Lux (F1.0, AGC ON); 0 Lux with IR in B&W night mode	
LED	<b>IR and White light Range:</b> Up to 40m (131 ft); <b>IR Wave Length:</b> 850nm	
Shutter	Auto/Manual, shutter time: 1~1/100000 s	
Image Processing	<b>WDR:</b> 130 dB, Intelligent WDR; <b>S/N:</b> >56dB; <b>Noise reduction:</b> 2D/3D; <b>Defog:</b> Supported; <b>HLC/BLC:</b> Supported;	
Video Encoding	Ultra 265, H.265, H.264 (Baseline profile, Main Profile, High Profile), MJPEG; <b>ROI:</b> Up to 8 areas	
Available Modes and Resolution	<b>Main Stream:</b> 4MP(2688x1520)@30fps, 2560x1440@30fps; 2304x1926@30fps, 1920x1080@30fps, 1280x720@30fps; <b>Sub Stream:</b> 1920x1080@30fps, 1280x720@30fps, 720x576@30fps, 640x360@30fps, 704x288@30fps, 352x288@30fps <b>Third Stream:</b> 720*576@30fps, 640x360@30fps, 704x288@30fps, 352x288@30fps	
On-screen Overlay	<b>OSD:</b> Up to 8 OSD; <b>Privacy Mask:</b> Up to 4 areas; ROI: up to 8 areas	
White Balance	Auto / Outdoor / Fine Tune / Sodium Lamp / Locked / Auto2	
Image Rotation	Normal / Vertical / Horizontal / 180° / 90° Clockwise / 90° Counterclockwise	
Audio I/O	<b>Built-in Mic; Audio In: 1:</b> 35 kΩ, amplitude 2 V [p-p] <b>Built-in Speaker: 3 watts; Audio Out: 1:</b> impedance 600 Ω, amplitude 2 V [p-p]	
Audio Compression	G.711; G.711A, 64 Kbps, 8KHz, audio suppression; <b>Two-way Audio:</b> Supported	
Alarm I/O	<b>Alarm In: 1; Alarm Out: 1</b>	
Onboard Storage	microSD slot (SD card not included); up to 512GB	
<b>Event Handling</b>		
DORI	<b>Detect:</b> 206.7ft; <b>Observe:</b> 82.7ft; <b>Recognize:</b> 41.3ft; <b>Identify:</b> 20.7ft	
Event Type	<b>Basic:</b> motion detection, tampering alarm, audio detection; <b>Intelligent:</b> cross Line, intrusion and enter area with people, vehicle, and non-motor vehicle classifications	
<b>NETWORK ACCESSIBILITY &amp; SECURITY</b>		
Protocols	IPv4, IGMP, ICMP, ARP, TCP, UDP, DHCP, PPPoE, RTP, RTSP, RTCP, DNS, DDNS, NTP, FTP, UPnP, HTTP, HTTPS, SMTP, 802.1x, SNMP, QoS, RTMP, SSH	
Compatible Integration	ONVIF (Profile S, Profile G, Profile T, Profile M), API, SDK	
User/Host	Up to 32 users. 2 user levels: administrator and common user	
Security	Password protection, Strong password, HTTPS encryption, Export operation logs, Basic and digest authentication for RTSP, Digest authentication for HTTP, TLS 1.2, WSSE and digest authentication for ONVIF	
Network	1 RJ45 10M/100M Base-TX Auto-adaptive Ethernet	
<b>GENERAL</b>		
EMC	CE-EMC (EN 55032, EN 61000-3-3, EN IEC 61000-3-2, EN 50130) FCC (FCC 47 CFR part15 B)	
Safety Certification	CE-LVD (EN 62368-1) CB (IEC 62368-1) UL/CUL (UL 62368-1, CAN/CSA C22.2 No. 62368-1)	
Power	DC12V±25%,PoE (IEEE 802.3af); Max. 10W; Surge Protection: 4KV	
Dimensions & Weight	269mm x 96mm x 82mm (10.6"x3.8"x3.2"), 0.97kg(2.14lb)	
Working Environment	-30°C ~ 60°C (-22°F ~ 140°F), Humidity: ≤95% RH (non-condensing)	
Storage Environment	-30°C ~ 60°C (-22°F ~ 140°F), Humidity: ≤95% RH (non-condensing)	
Reset Button	Supported	
Environmental Protection	Ingression protection: IP67; Vandal resistance: IK10	

\*\*All specifications are subject to change without further notice

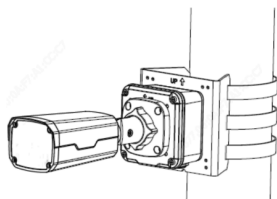


**DIMENSIONS**

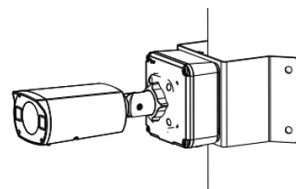


**MOUNTING ACCESSORIES**

MODEL NUMBER	DESCRIPTION / APPLICATION	COMPATIBLE ACCESSORIES
TP-FCBJB	Junction Box	TP-FCBPM - Pole mount TP-WMCM - Corner mount TP-UWPJ - 3/4" waterproof cable gland (not included)



Pole mounted w/ TP-FCBJB junction box and TP-FCBPM pole mount



Corner mounted w/ TP-FCBJB junction box and TP-WMCM corner mount