

MINUET

24V DC Cut-Anywhere Flexible LED Neon

Featuring fully encased tape light, Minuet provides smooth evenly diffused light that eliminates the needs for additional extrusion housings and lenses. With light emitting from three sides, Minuet is a unique product that can be used in small spaces, or be placed on in direct view to meet the needs of dynamic lighting installations.

- Low-profile, flexible light strip in 4x6 side bend or 6x6 top bend
- UV, flame, and saltwater resistant (IP65) silicone coating
- Long life LEDs produce high lumen output
- Durable housing with 2.36" bending radius
- Cuttable anywhere with a maximum run of 16.4 feet
- Dimmable with most TRIAC, ELV, or CL dimmers
- Suitable for woodwork & cabinetry, coves, frame, bars, rails, and other areas where a small profile or outline of light is needed
- cULus Listed for wet locations
- Suitable for use in closets when installed in accordance with NFPA 70, NEC section 410.16 (B)(3) and 410.16 (D)(1)(Exception)

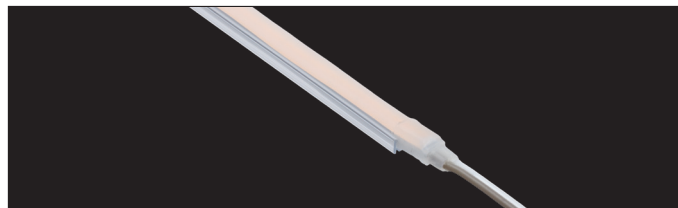
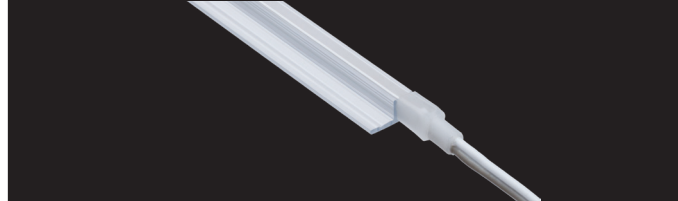


PROJECT: _____

TYPE: _____

LOCATION: _____

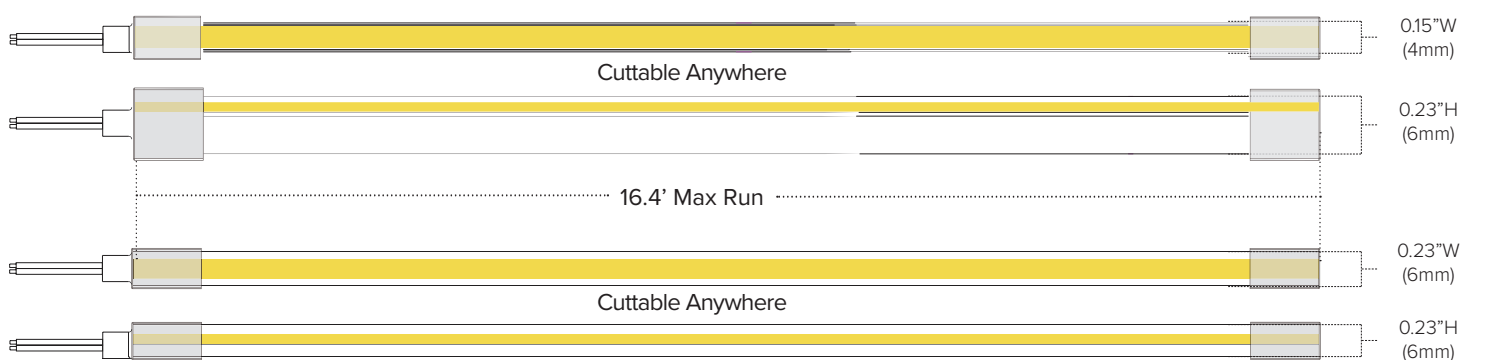
CATALOG NUMBER: _____



MINUET QUICK SPECS	
VOLTAGE	24V DC
WATTAGE	2.43W per foot
LUMENS	Up to 105Lm/ft (4x6) / Up to 182Lm/ft (6x6)
CCT	2700K / 3000K / 4000K
MAX RUN	16.4ft (5m)
CUTTING POINTS	Anywhere
IP RATING	IP65 - Wet Location
DIMMING	5-100% TRIAC/ELV/CL
DIMENSIONS	0.16" (4mm) W x 0.24" (6mm) H
BEAM ANGLE	120°
OPERATING TEMP	-40°C (-40°F) to 55°C (131°F)*
CERTIFICATIONS	cULus Listed - Wet Locations, RoHS Compliant
RATED LIFE	50,000 Hours

*Do not install in inclement weather or extreme conditions (i.e. -25°C (-13°F) and below)

MINUET QUICK LOOK



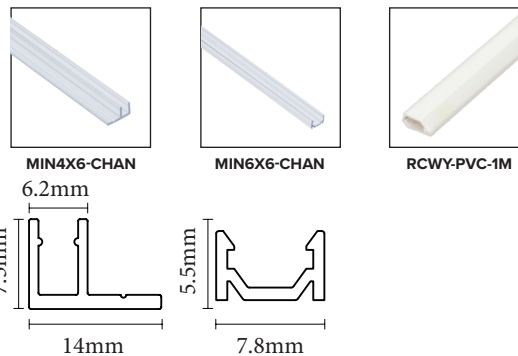
MINUET ORDERING INFORMATION

ITEM NUMBER	PROFILE	VOLTAGE	CCT	LENGTH	LUMENS / FT	WATTAGE / FT	IP RATING	CUTTING	MAX RUN
PLX-MIN4X6-67-24V-27-16	4x6mm	24V DC	2700K	16.4ft (5M)	93Lm/ft	2.43W/ft	IP65	Anywhere	16.4ft
PLX-MIN4X6-67-24V-27-1M	4x6mm	24V DC	2700K	3.28FT (1M)	93Lm/ft	2.43W/ft	IP65	Anywhere	16.4ft
PLX-MIN4X6-67-24V-27-2M	4x6mm	24V DC	2700K	6.56FT (2M)	93Lm/ft	2.43W/ft	IP65	Anywhere	16.4ft
PLX-MIN4X6-67-24V-27-3M	4x6mm	24V DC	2700K	9.84FT (3M)	93Lm/ft	2.43W/ft	IP65	Anywhere	16.4ft
PLX-MIN4X6-67-24V-30-16	4x6mm	24V DC	3000K	16.4ft (5M)	98Lm/ft	2.43W/ft	IP65	Anywhere	16.4ft
PLX-MIN4X6-67-24V-30-1M	4x6mm	24V DC	3000K	3.28FT (1M)	98Lm/ft	2.43W/ft	IP65	Anywhere	16.4ft
PLX-MIN4X6-67-24V-30-2M	4x6mm	24V DC	3000K	6.56FT (2M)	98Lm/ft	2.43W/ft	IP65	Anywhere	16.4ft
PLX-MIN4X6-67-24V-30-3M	4x6mm	24V DC	3000K	9.84FT (3M)	98Lm/ft	2.43W/ft	IP65	Anywhere	16.4ft
PLX-MIN4X6-67-24V-40-16	4x6mm	24V DC	4000K	16.4ft (5M)	105Lm/ft	2.43W/ft	IP65	Anywhere	16.4ft
PLX-MIN4X6-67-24V-40-1M	4x6mm	24V DC	4000K	3.28FT (1M)	105Lm/ft	2.43W/ft	IP65	Anywhere	16.4ft
PLX-MIN4X6-67-24V-40-2M	4x6mm	24V DC	4000K	6.56FT (2M)	105Lm/ft	2.43W/ft	IP65	Anywhere	16.4ft
PLX-MIN4X6-67-24V-40-3M	4x6mm	24V DC	4000K	9.84FT (3M)	105Lm/ft	2.43W/ft	IP65	Anywhere	16.4ft
PLX-MIN6X6-67-24V-27-16	6x6mm	24V DC	2700K	16.4ft (5M)	158Lm/ft	2.43W/ft	IP65	Anywhere	16.4ft
PLX-MIN6X6-67-24V-27-1M	6x6mm	24V DC	2700K	3.28FT (1M)	158Lm/ft	2.43W/ft	IP65	Anywhere	16.4ft
PLX-MIN6X6-67-24V-27-2M	6x6mm	24V DC	2700K	6.56FT (2M)	158Lm/ft	2.43W/ft	IP65	Anywhere	16.4ft
PLX-MIN6X6-67-24V-27-3M	6x6mm	24V DC	2700K	9.84FT (3M)	158Lm/ft	2.43W/ft	IP65	Anywhere	16.4ft
PLX-MIN6X6-67-24V-30-16	6x6mm	24V DC	3000K	16.4ft (5M)	165Lm/ft	2.43W/ft	IP65	Anywhere	16.4ft
PLX-MIN6X6-67-24V-30-1M	6x6mm	24V DC	3000K	3.28FT (1M)	165Lm/ft	2.43W/ft	IP65	Anywhere	16.4ft
PLX-MIN6X6-67-24V-30-2M	6x6mm	24V DC	3000K	6.56FT (2M)	165Lm/ft	2.43W/ft	IP65	Anywhere	16.4ft
PLX-MIN6X6-67-24V-30-3M	6x6mm	24V DC	3000K	9.84FT (3M)	165Lm/ft	2.43W/ft	IP65	Anywhere	16.4ft
PLX-MIN6X6-67-24V-40-16	6x6mm	24V DC	4000K	16.4ft (5M)	182Lm/ft	2.43W/ft	IP65	Anywhere	16.4ft
PLX-MIN6X6-67-24V-40-1M	6x6mm	24V DC	4000K	3.28FT (1M)	182Lm/ft	2.43W/ft	IP65	Anywhere	16.4ft
PLX-MIN6X6-67-24V-40-2M	6x6mm	24V DC	4000K	6.56FT (2M)	182Lm/ft	2.43W/ft	IP65	Anywhere	16.4ft
PLX-MIN6X6-67-24V-40-3M	6x6mm	24V DC	4000K	9.84FT (3M)	182Lm/ft	2.43W/ft	IP65	Anywhere	16.4ft

Each Neon Includes: 6ft lead wire / 6ft tail wire

MINUET ACCESSORIES

ITEM NUMBER	DESCRIPTION
MIN4X6-CHAN-1M	1m PC Mounting Channel for Minuet 4x6
MIN6X6-CHAN-1M	1m PC Mounting Channel for Minuet 6x6
RCWY-PVC-1M	1m Plastic Wire Cover Raceway



RECOMMENDED POWER SUPPLIES

ITEM NUMBER	DESCRIPTION	MAX / MIN LOAD	INPUT VOLTAGE	OUTPUT VOLTAGE	DIMMABLE	DIMENSIONS
ADPT-DRJ-30-24	Adaptive Series 30W	30W / 3W	100-277V AC	24V DC	Yes*	6.49"L x 3.6"W x 1.02"H
ADPT-DRJ-60-24	Adaptive Series 60W	60W / 6W	100-277V AC	24V DC	Yes*	7.4"L x 3.6"W x 1.02"H
ADPT-DRJ-96-24	Adaptive Series 96W	96W / 9.6W	100-277V AC	24V DC	Yes*	8.66"L x 3.6"W x 1.61"H
ADPT-DRJ-192-24	Adaptive Series 192W (2 x 96W)	192W / 19.2W	100-277V AC	24V DC	Yes*	10.94"L x 4.25"W x 1.8"H
ADPT-DRJ-288-24	Adaptive Series 288W (3 x 96W)	288W / 28.8W	100-277V AC	24V DC	Yes*	11.85"L x 4.25"W x 1.8"H

Phase Dimming Compatible With Most MLV, ELV, and TRIAC Dimmers

NOTES ON CLOSET LIGHTING

Closet Lighting | NEC 410.16 | Brief Overview

Please see 2026 NFPA NEC Code Book Section 41.16 for details code requirements

Do Closets Need Lighting?

- Not required by the NEC Code
- If installed, lighting must comply with NEC 410.1

Why Closet Lighting Is Regulated

- Clothing, fabric, and paper materials can be combustible
- Tight spaces increase fire risk
- Rules protect people and property
-

Approved Fixture Types

- Surface-mounted or recessed LED or incandescent
- Light source must be fully enclosed
- Fluorescent fixtures allowed
- Fixtures labeled for closet use are preferred
- Open or partially exposed bulbs are not allowed including pendants

What Counts as "Storage Space"?

- From floor to 6ft high or highest hanging rod
 - 24in out from side and back walls
 - Above shelves, up to ceiling within 12in of wall or shelf depth
 - 12in on each side of double-sided hanging rods
- Fixtures must stay outside this space unless specifically rated.

Minimum Clearance Requirements

From storage space:

- 12 in → Surface-mounted enclosed LED/incandescent
- 6 in → Recessed enclosed LED/incandescent

Benefits of Surface-Mounted vs. Recessed

Surface-Mounted

- Easy install
- Ideal for shallow closets
- Flexible placement

Recessed

- Clean, modern look
- No protrusions
- Requires wall/ceiling depth

Wiring & Controls

- Wiring must meet NEC standards
- Conductors must be protected
- Light switch should be near the entrance

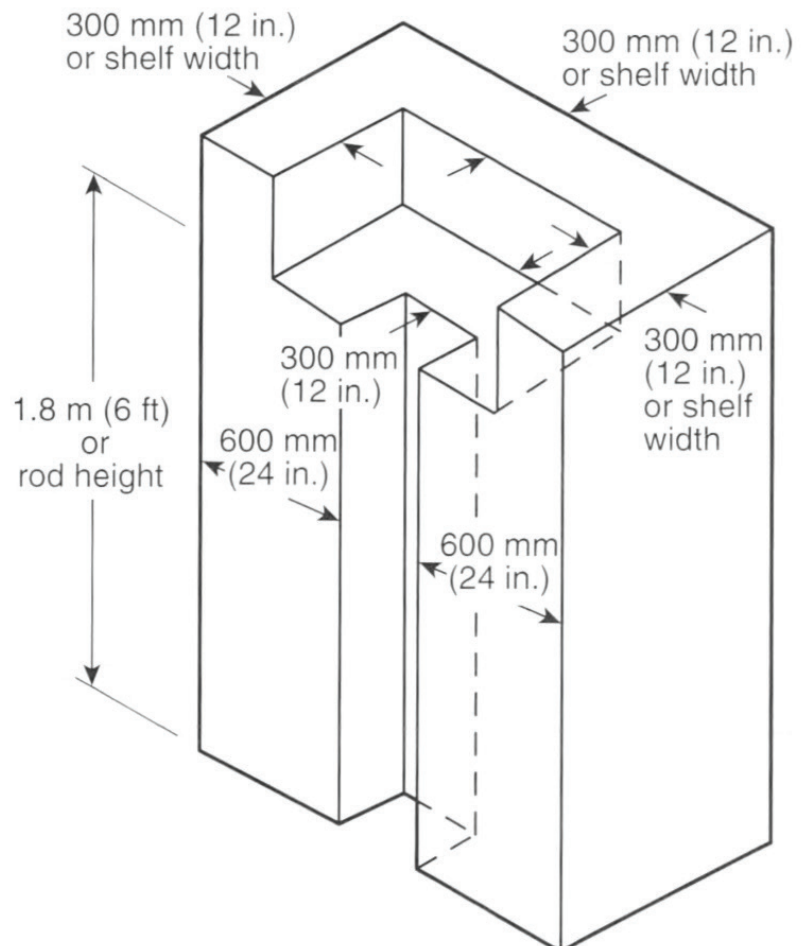


FIGURE 410.16(A) Clothes Closet Storage Space.



PROLUXE LIGHTING WARRANTY

LIMITED WARRANTY FOR LED PRODUCTS: 3 YEARS

AVERAGE LIFE

Average incandescent lamp life, rated life and average life are terms used to describe the number of hours at which half of the lamps have failed. For LEDs, the hours of rated life specify the point at which 70% of original lumen output is reached. Below this point, the effective life is over, however, the LED may still emit light. Individual results may vary with actual environmental conditions including, but not limited to, proper installation, ambient temperature and/or input voltage fluctuations.

Warranty life based on average 8 hours/day use, 7 days/week. Product should be cycled off for at least 6 hours per day.

SAFETY

You must disconnect lighting products from the power supply before servicing or replacing bulbs. Only qualified personnel should install and perform service on lighting products. Periodic inspection and maintenance is required to keep equipment operating properly and at peak performance. Do not mount fixtures on or adjacent to combustible materials.

Lighting products may present a possible shock or fire hazard if improperly installed or attached in any way. Products should always be installed in accordance with their instruction manuals, current electrical codes, and/or the current National Electric Code (NEC). Code compliance is the sole responsibility of the person, company, or party performing the installation of product. Failure to comply with national and/or regional safety codes may result in hazardous or dangerous conditions, damage to property or life, and/or altered product performance/specifications.

LIMITED PRODUCT WARRANTY

Our products are warranted to be free from defects in material and workmanship for the warranty period listed on the reverse by product category. Warranty periods begin from the date of shipment from Proluxe by American Lighting's warehouse to the original purchaser. Products that prove to be defective during their specific warranty period will be either repaired or replaced, at the sole discretion of Proluxe by American Lighting. Claims for defective products must be submitted in writing to Proluxe by American Lighting's RGA Department within the warranty period. Upon approval of such return, Proluxe by American Lighting reserves the right to inspect the product for misuse or abuse. Claims for indirect or consequential damages or for any product that, in Proluxe by American Lighting's opinion, has been misused will be denied. This is a warranty of product reliability only and not a warranty of merchantability or fitness for a particular purpose. Proluxe by American Lighting shall have no liability whatsoever in any event for payment of incidental or consequential damages, including, without limitations, installation costs and/or damages for personal injury and/or property. These products may represent a possible shock or fire hazard if improperly installed or altered in any way. This warranty does not apply to any product that has not been properly installed in accordance with current local codes and/or the National Electrical Code. Products that require a transformer, driver or power supply must be used in conjunction with Proluxe by American Lighting's recommended power supply to ensure safety and retain product warranty. Limited Product Warranty applies to lengths up to 75 feet for rope light products.

STANDARD LINEAR WARRANTY

Rope light and linear lighting products in all their various types and shapes, whether LED or incandescent, are wired in series parallel. This means that several individual lamps or LEDs are wired together in series to equal 12V, 24V or 120V. Then these sections are wired together (in parallel) to light up in unison. If one solder joint, lamp or resistor fails, a whole section will not light. Due to the number of elements involved, and the numerous extenuating circumstances beyond our control, Proluxe by American Lighting offers a Standard Linear Warranty on most linear lighting products. The limited liability warranty is listed above, however the Standard Linear Warranty offers replacement product by section due to defective material and/or workmanship for one year beginning from the date of shipment from Proluxe by American Lighting's warehouse to the original purchaser.

USE OF LINEAR LIGHTING IN OUTDOOR APPLICATIONS

Incandescent rope light and LED Flexbrite UL 2388 custom cuts; incandescent and LED Flexbrite pre-packaged kits; and UL Listed (special order) cuts of LED Neon Flexbrite Plus and Economy have factory assembled power connections and end caps that seal the rope from moisture. Due to strict quality control standards, American Lighting is able to offer a limited warranty on these items rather than the standard linear lighting warranty that replaces product by defective section only. For outdoor applications, best practices include using kits interconnected (same length kits are best for color control of White LED Flexbrite) or using custom cuts that do not exceed 75 feet. For all linear lighting categories, any non-rated field connection made in an outdoor application should be properly sealed with dielectric grease covering all conductive materials; and properly installed power connections and end caps, sealed with dielectric grease, silicone, and heat shrink tube. However, since non-rated (field executed) power connections of linear lighting products cannot be quality controlled, and outdoor use of non-rated product is not recommended, American Lighting cannot warrant the product to any purchaser.

PRODUCT SPECIFICATIONS

For the latest product information, updates, instructions and details concerning specifications, colors, finishes, performance, installation and design, visit www.americanlighting.com. Color may vary from the color printed herein due to limitations in photographic and printing processes. Proluxe by American Lighting reserves the right to change product specifications without notice. Other product specifications such as color temperature, wavelength characteristics and lumen output are subject to production limitations and may vary.

LED technology is changing rapidly, and not all color temperatures and performance levels can be duplicated at a later time.

Best practices include purchasing 10-15% additional product for a project on the same initial order where white LED color temperatures must be maintained over project and product life. Eventual product replacement should be considered at layout and design stages. Best practices also include testing connections and product performance prior to mounting and/or installing.