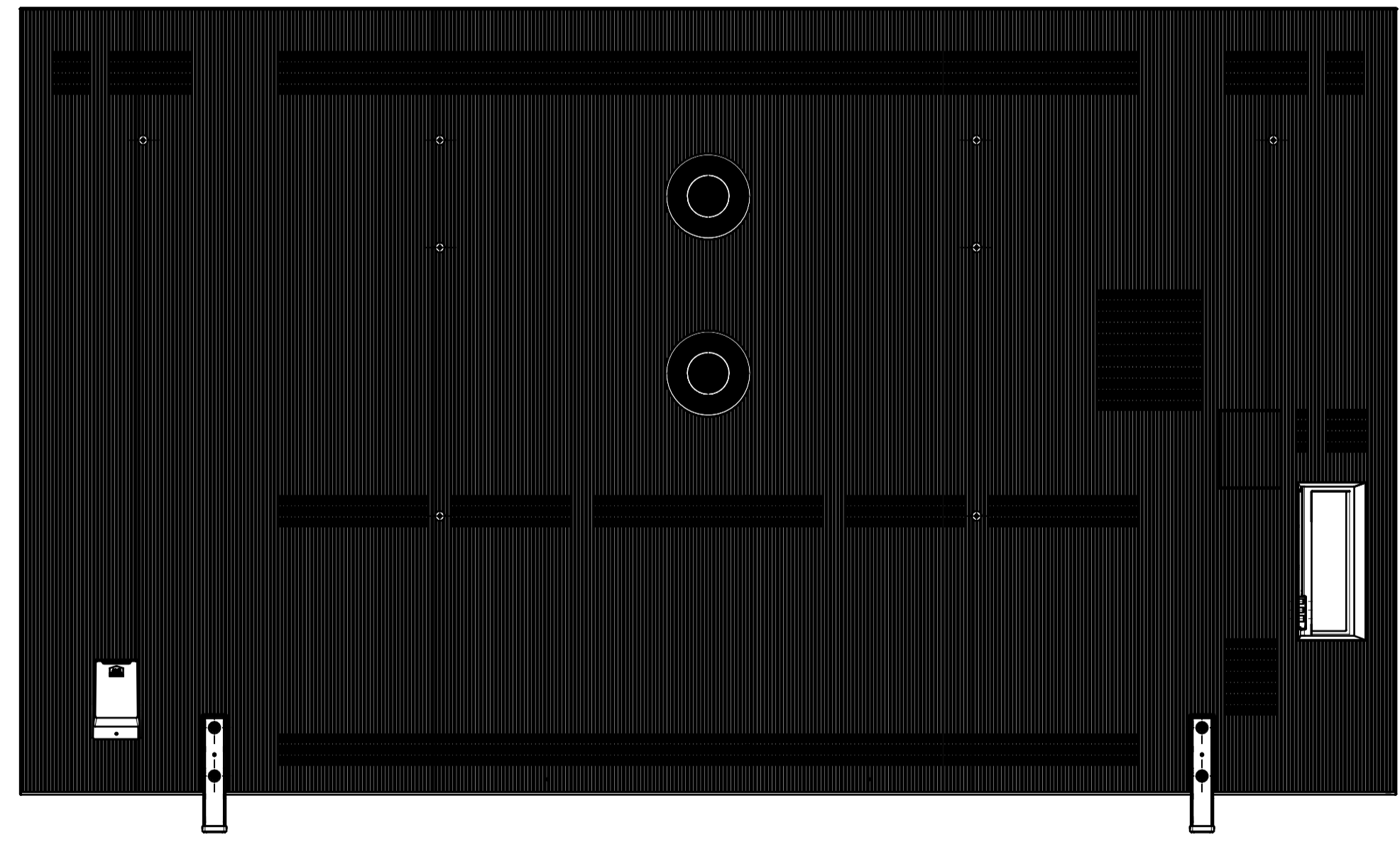
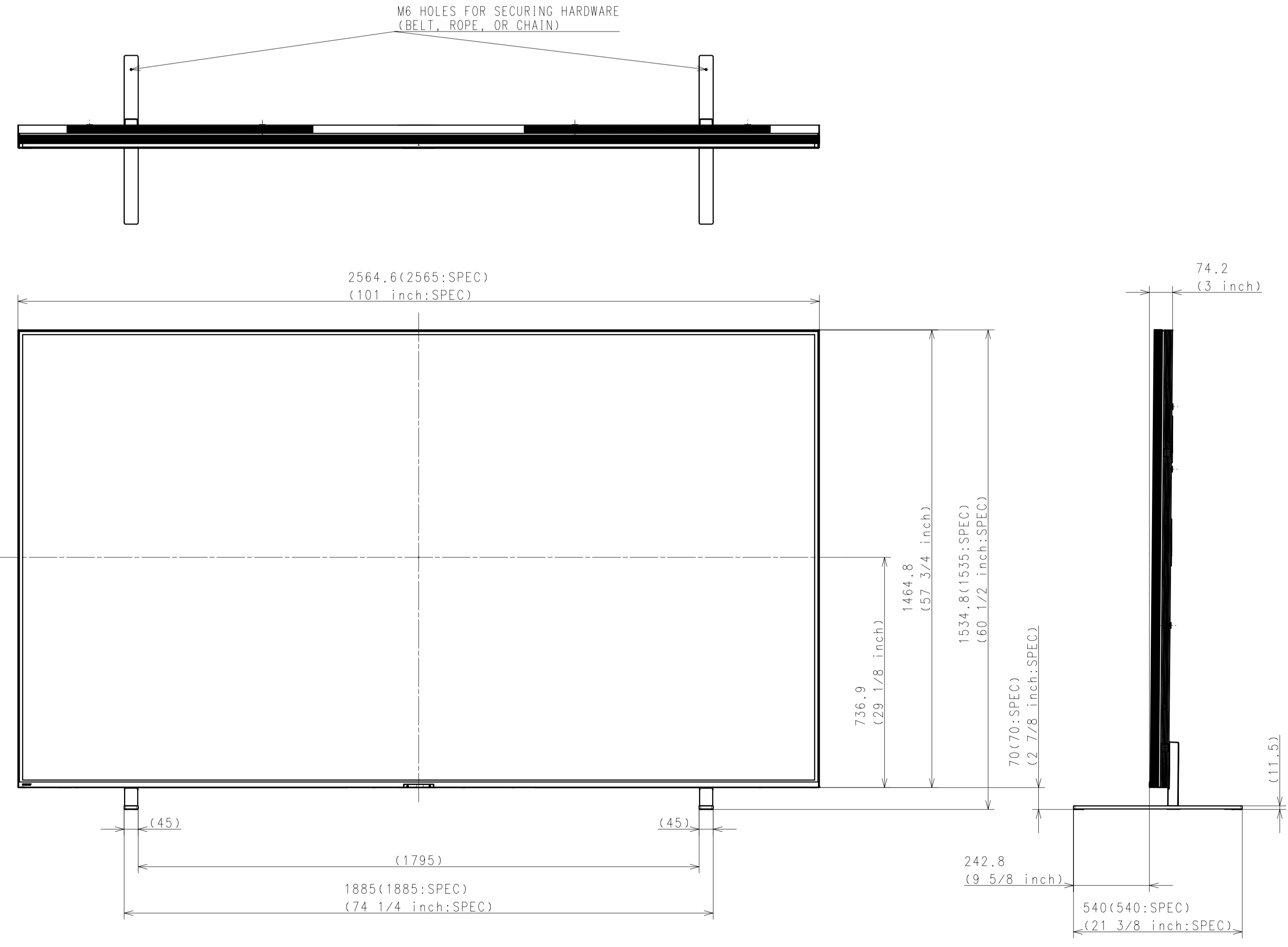


Area	JAPAN	NORTH AMERICA	NORTH AMERICA DERIVATIVE	EUROPE	GENERAL AREA	CHINA	
Model Name	K-115XR90M2	K-115XR90M2	K-115XR90M2	K-115XR95M2	K-115XR90M2	K-115XR90M2	
SV No.	SV-44398	SV-44285	SV-44577	SV-44388	SV-44324	SV-44371	
DIMENSION	TV only (W x H x D)	256.5 x 146.5 x 6.2 (6.5) cm	2565 x 1465 x 62 (65) mm / 101 x 57 3/4 x 2 1/2 (2 5/8) inch	2565 x 1465 x 62 (65) mm / 101 x 57 3/4 x 2 1/2 (2 5/8) inch	Approx. 256.5 x 146.5 x 6.2 (6.5) cm	Approx. 256.5 x 146.5 x 6.2 (6.5) cm	Approx. 256.5 x 146.5 x 6.2 (6.5) cm
	TV only with camera (W x H x D)	-	-	-	-	-	-
	TV with Stand (Standard position) (W x H x D)	256.5 x 153.5 x 54.0 cm	2565 x 1535 x 540 mm / 101 x 60 1/2 x 21 3/8 inch	2565 x 1535 x 540 mm / 101 x 60 1/2 x 21 3/8 inch	Approx. 256.5 x 153.5 x 54.0 cm	Approx. 256.5 x 153.5 x 54.0 cm	Approx. 256.5 x 153.5 x 54.0 cm
	TV with Stand (Sound bar position) (W x H x D)	-	-	-	-	-	-
	TV with Stand (Outside) (W x H x D)	-	-	-	-	-	-
	TV with Stand (Inside) (W x H x D)	-	-	-	-	-	-
	TV with Stand (Outside for Soundbar) (W x H x D)	-	-	-	-	-	-
	TV with Stand (Inside for Soundbar) (W x H x D)	-	-	-	-	-	-
	TV with Stand (Narrow position) (W x H x D)	-	-	-	-	-	-
	Stand Width (Standard position)	188.5 cm	1885 mm / 74 1/4 inch	1885 mm / 74 1/4 inch	Approx. 188.5 cm	Approx. 1885 mm	Approx. 1885 mm
	Stand Width (Sound bar position)	-	-	-	-	-	-
	Stand Width (Outside)	-	-	-	-	-	-
	Stand Width (Inside)	-	-	-	-	-	-
	Stand Width (Narrow position)	-	-	-	-	-	-
	Stand Inner Distance	-	-	-	-	-	-
Stand Inner Distance (Inside position)	-	-	-	-	-	-	
Stand Inner Distance (Outside position)	-	-	-	-	-	-	
Dimension of Stand (W x H x D)	188.5 x 7.0 x 54.0 cm	1885 x 70 x 540 mm / 74 1/4 x 2 7/8 x 21 3/8 inch	1885 x 70 x 540 mm / 74 1/4 x 2 7/8 x 21 3/8 inch	-	Approx. 188.5 x 70 x 54.0 cm	Approx. 188.5 x 70 x 54.0 cm	
Dimension of Stand (Low) (W x H x D)	-	-	-	-	-	-	
Dimension of Stand (High) (W x H x D)	-	-	-	-	-	-	
VESA Hole Pitch	100.0 x 70.0 cm	1000 x 700 mm / 39 3/8 x 27 5/8 inch	1000 x 700 mm / 39 3/8 x 27 5/8 inch	100.0 x 70.0 cm	1000 x 700 mm	1000 x 700 mm	
WEIGHT	TV Only	106.8 kg	106.8 kg / 235.3 lb	106.8 kg / 235.3 lb	Approx. 106.8 kg	Approx. 106.8 kg	
	TV with Stand	111.8 kg	111.8 kg / 246.3 lb	111.8 kg / 246.3 lb	Approx. 111.8 kg	Approx. 111.8 kg	
Remarks							

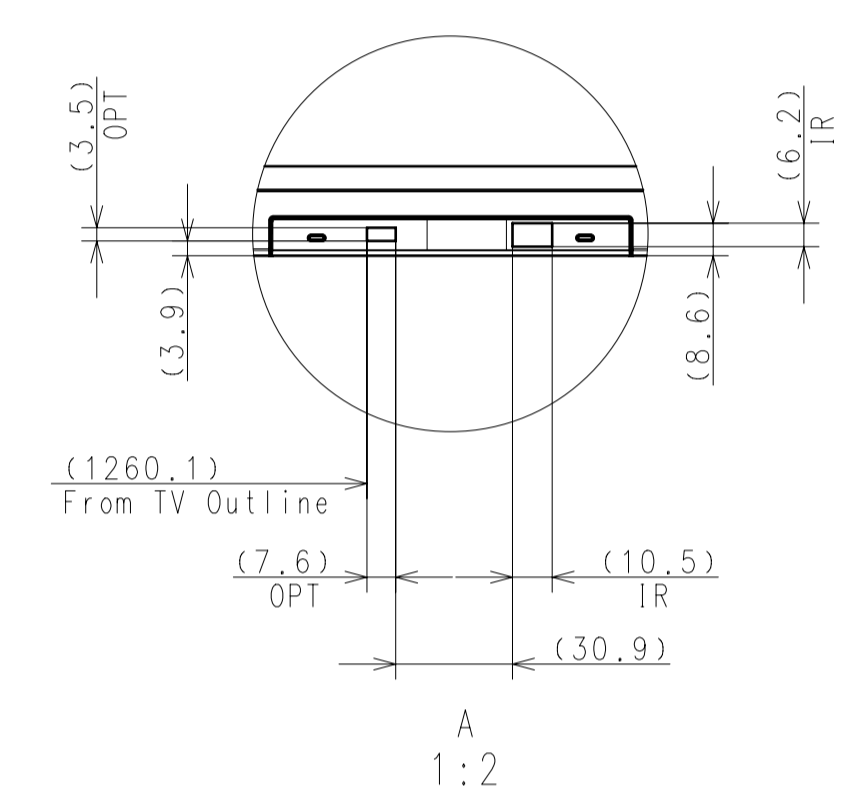
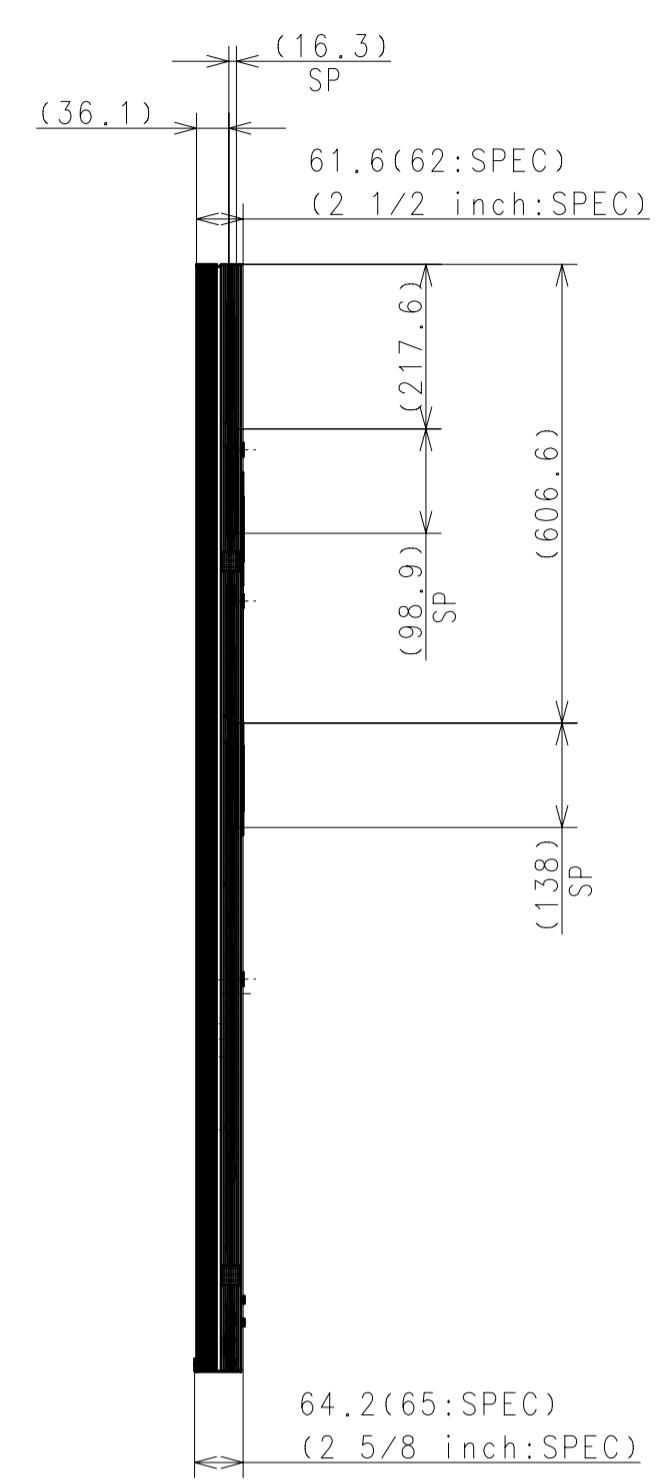
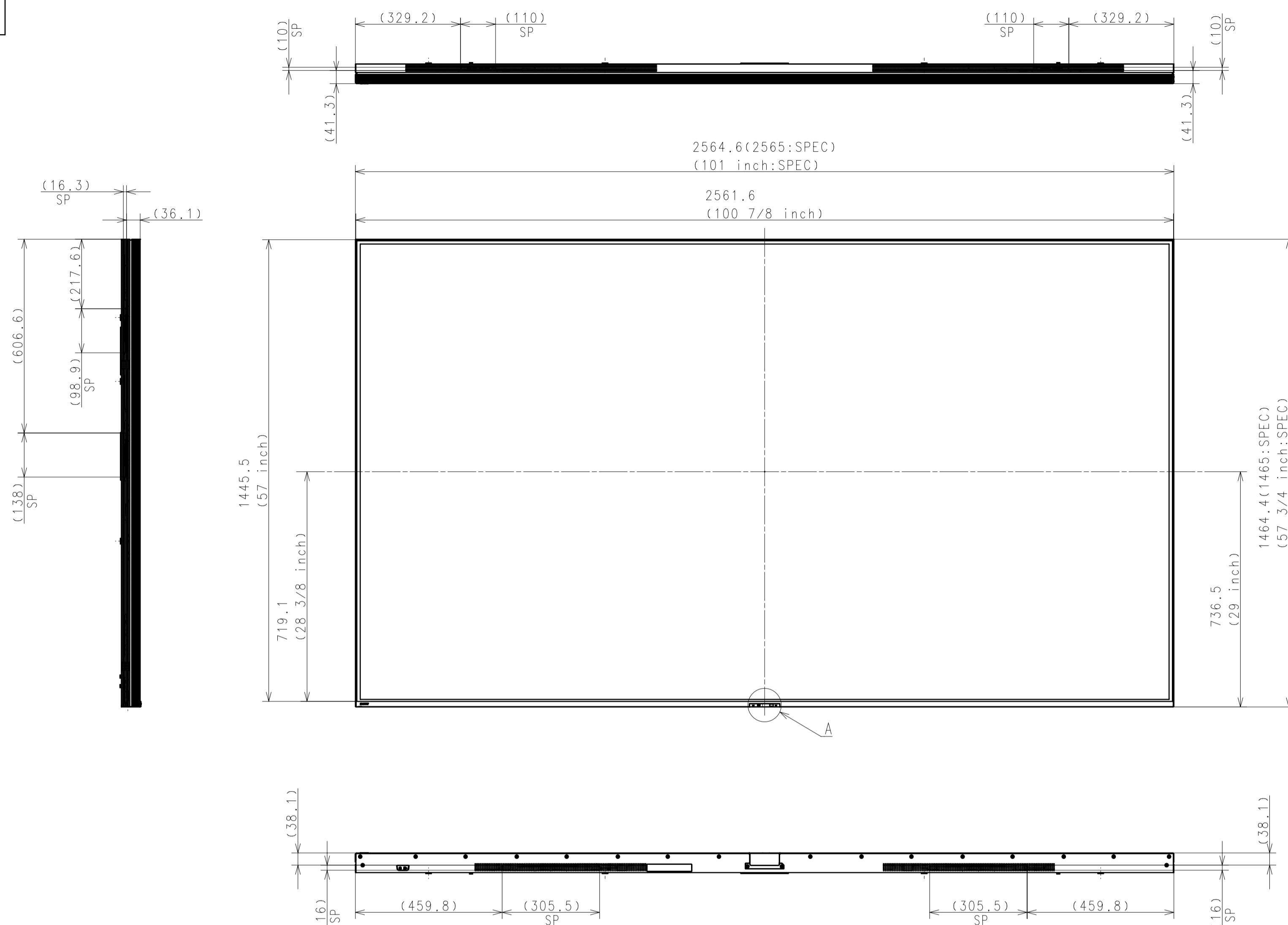
TV with Stand



Purchase recycled resins and wire rods only from the business partners that Sony approves as Green Partners.

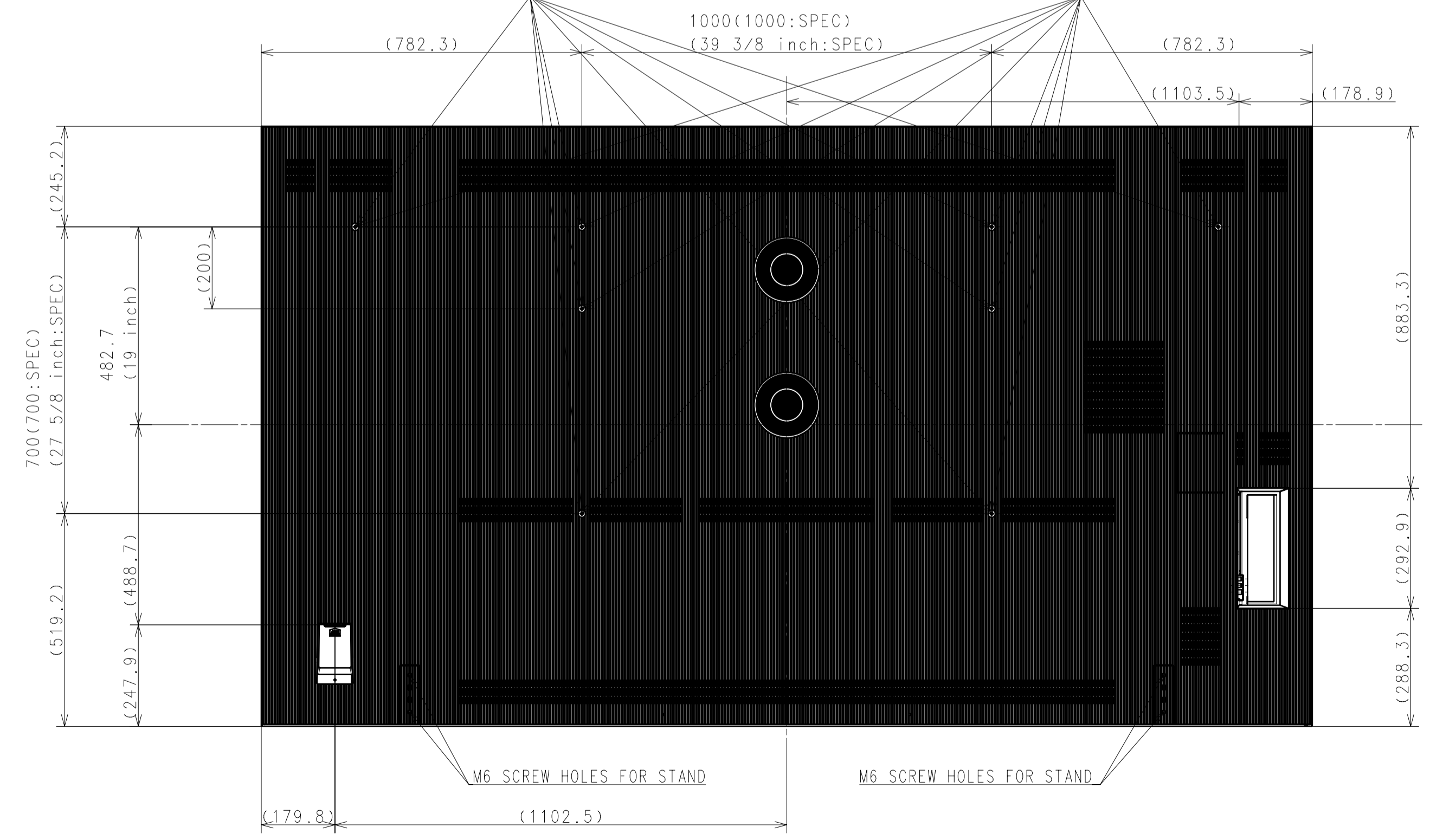
△A	△B	△C	△D	△E	△F	△G	△H	△I	△J	△K	△L						
HISTORY X: COUNT Y: SUFFIX Z: RELEASE NO. DATE										REVISION		SIGN.		MATERIAL COLOR		FINISH COLOR	
Sony Corporation												RESPONSIBLE DEPARTMENT DTC_MD div1 MD dept1		ORIGINAL MODEL 115 (XR90M2)		DESCRIPTION 115 (XR90M2) EXTERIOR VIEW	
PLANNED BY 2025.09.15 Kai Takahashi				CHECKED BY				APPROVED BY		SCALE 1:10		TENTATIVE MODEL 115 (XR90M2) EXTERIOR VIEW		SHEET/PAGES 1/2			
DRAWN BY 2025.09.15 Kai Takahashi				PREP. METHOD				SIZE A1		UNIT mm		PART NO.		SUFFIX REV. NO.			

TV only

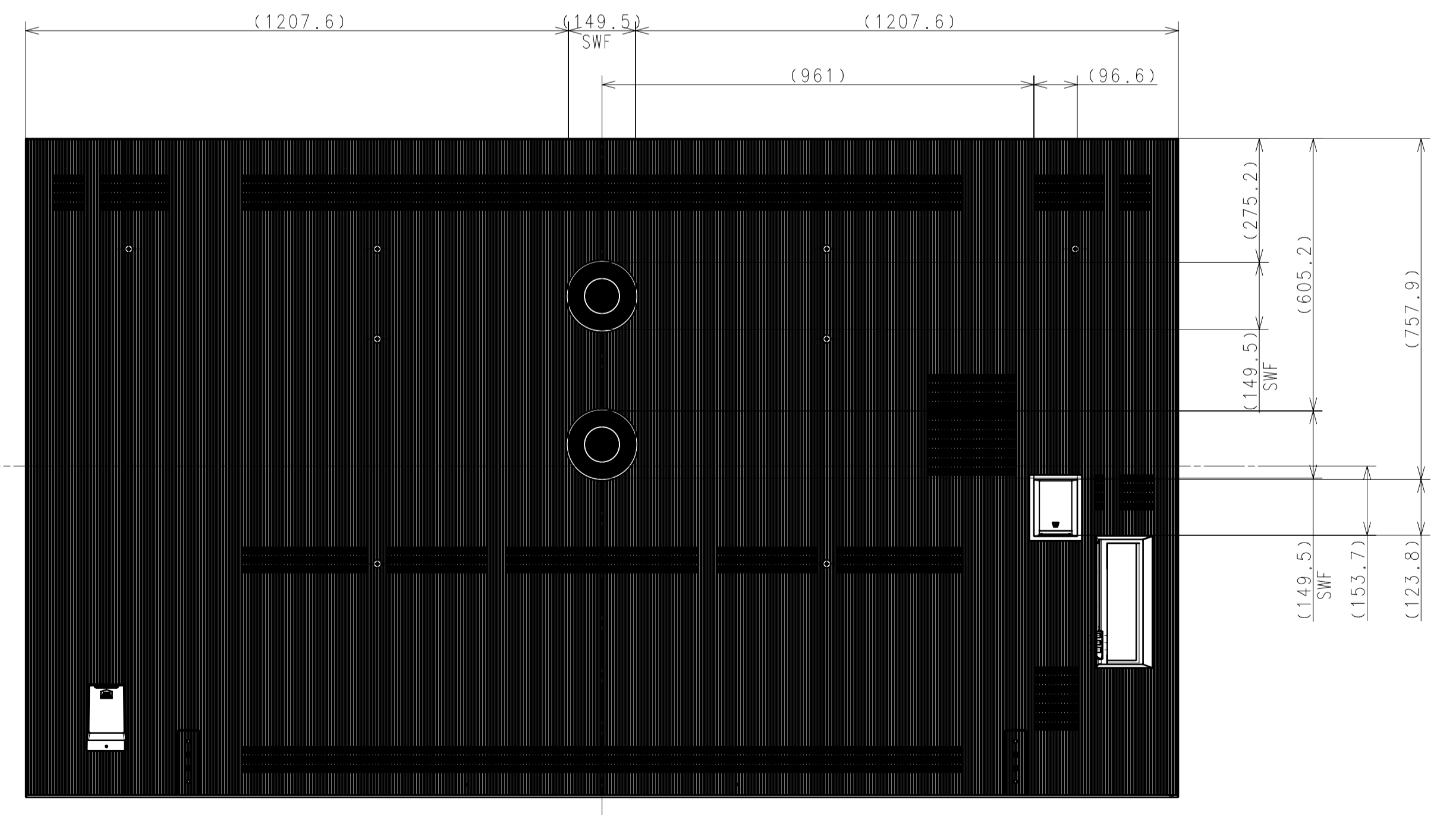


M8 HOLES FOR WALL MOUNT BRACKET
*REFER TO INSTRUCTION MANUAL FOR SCREW LENGTH INFORMATION

M8 HOLES FOR SECURING HARDWARE.
(BELT, ROPE OR CHAIN)



EXCEPT FOR EU



FOR EU

DESCRIPTION 1: 115 (XR90M2) EXTERIOR VIEW	LEGAL OWNER Sony Corporation	SCALE 1:10
DESCRIPTION 2: 115 (XR90M2) EXTERIOR VIEW	PART NO.	SHEET/PAGES 2 / 2