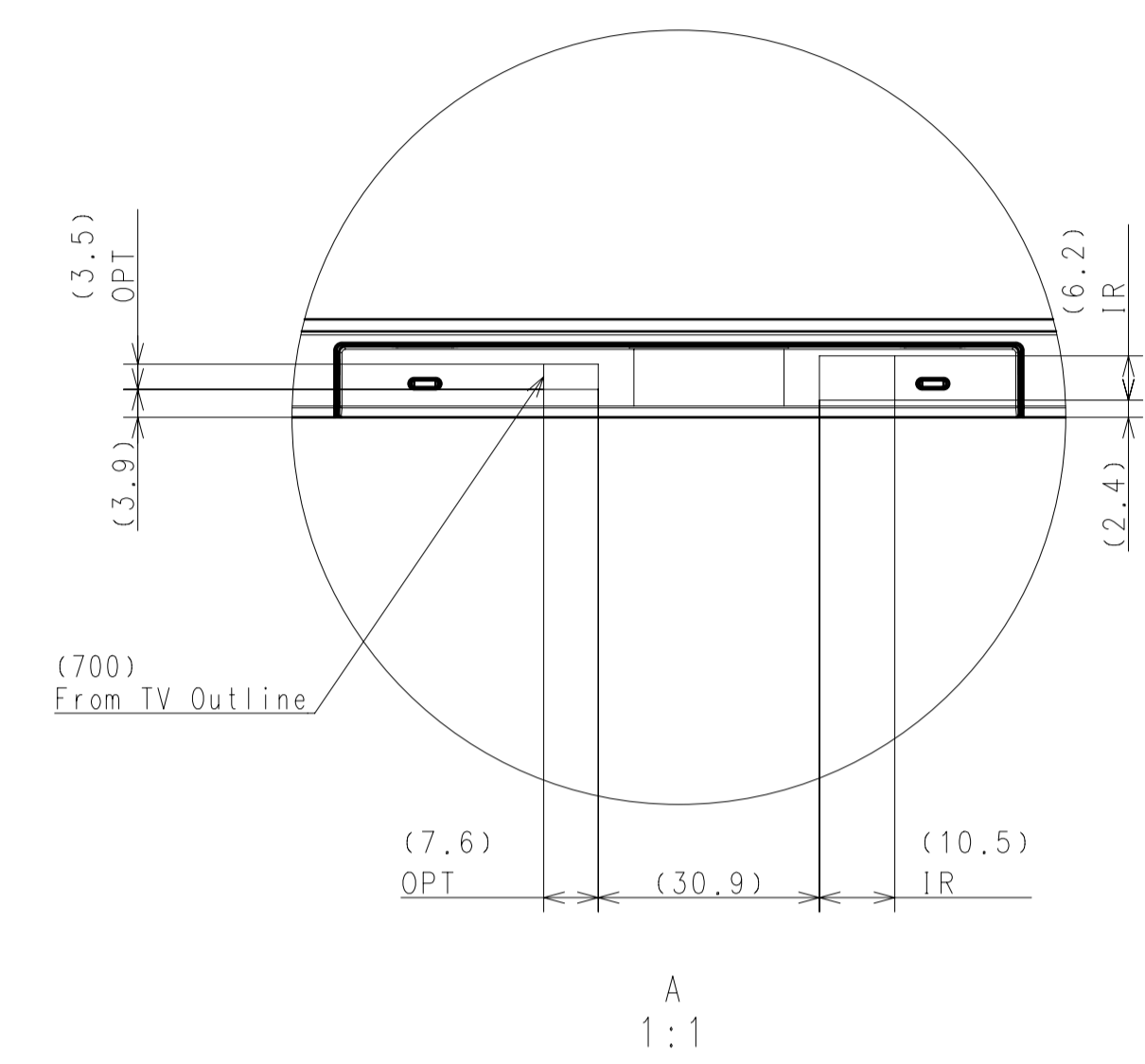
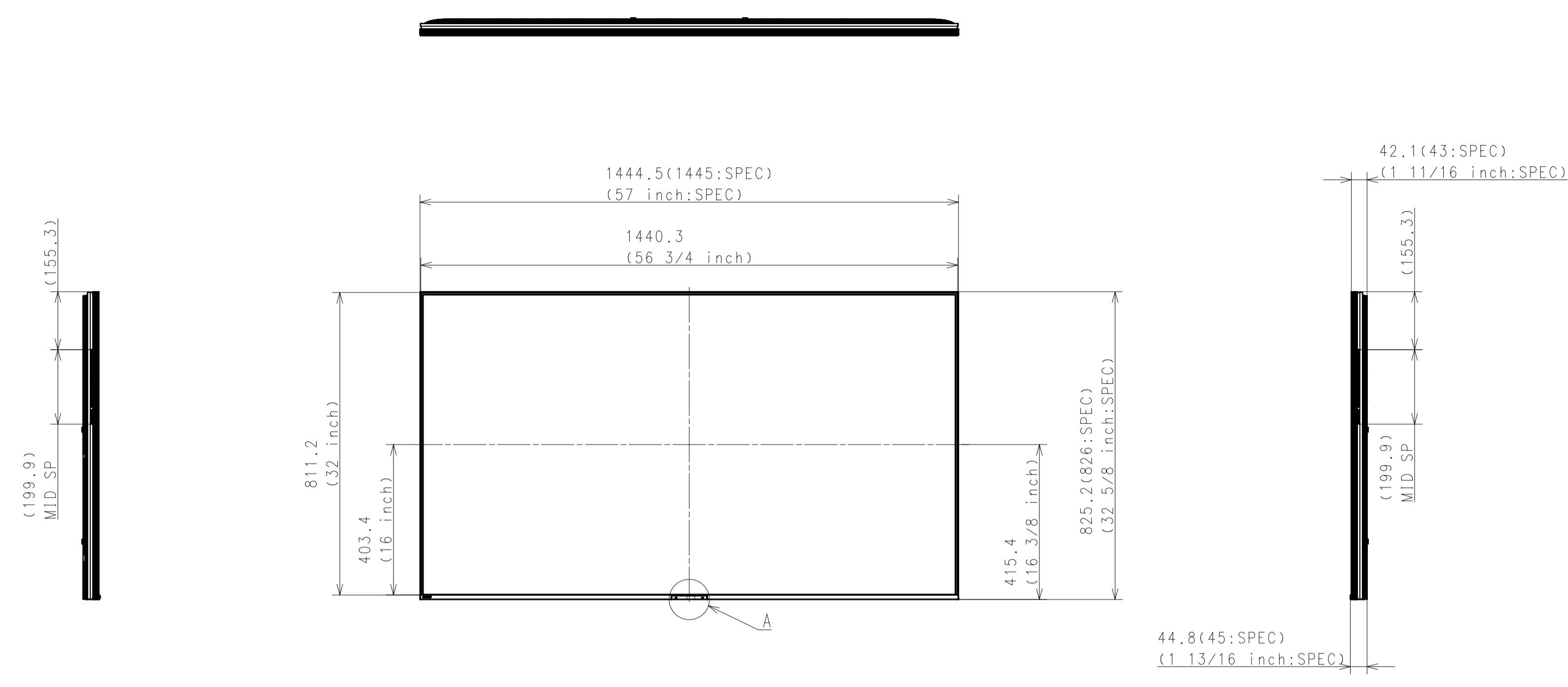
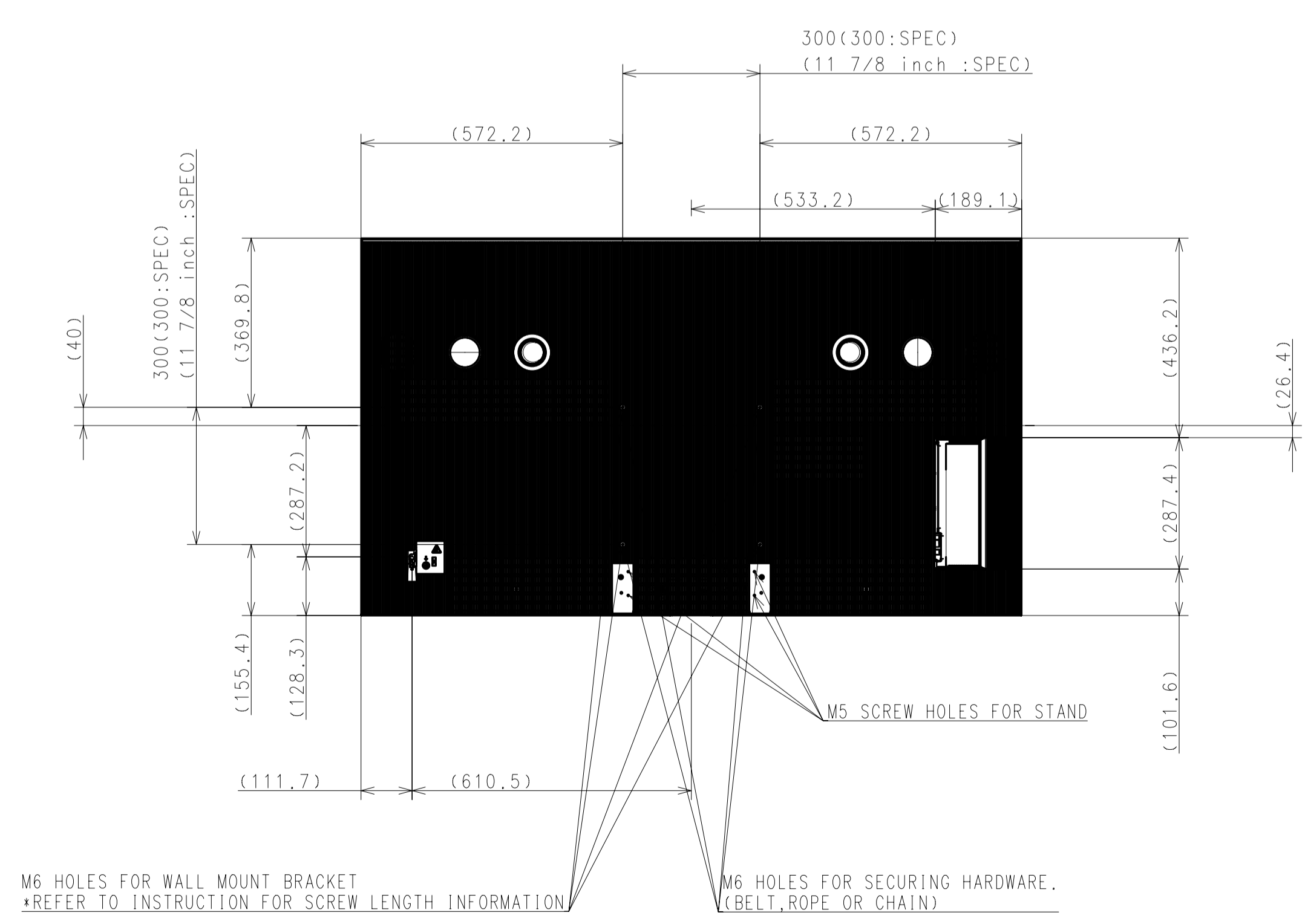


TV only



44.8(45:SPEC)
(1 13/16 inch:SPEC)

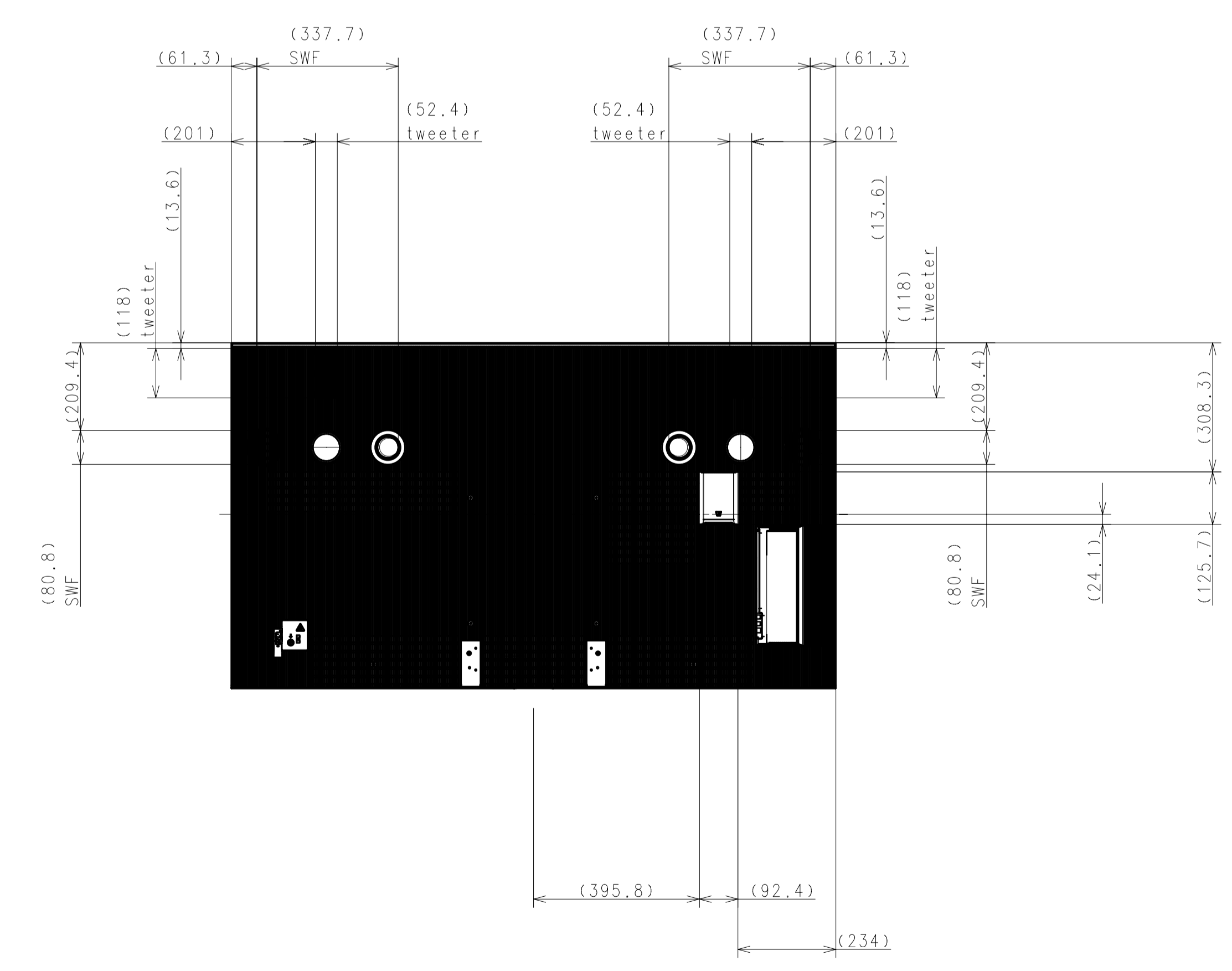
A
1:1



M6 HOLES FOR WALL MOUNT BRACKET
*REFER TO INSTRUCTION FOR SCREW LENGTH INFORMATION

M6 HOLES FOR SECURING HARDWARE.
(BELT, ROPE OR CHAIN)

FOR EXCEPT EUROPE



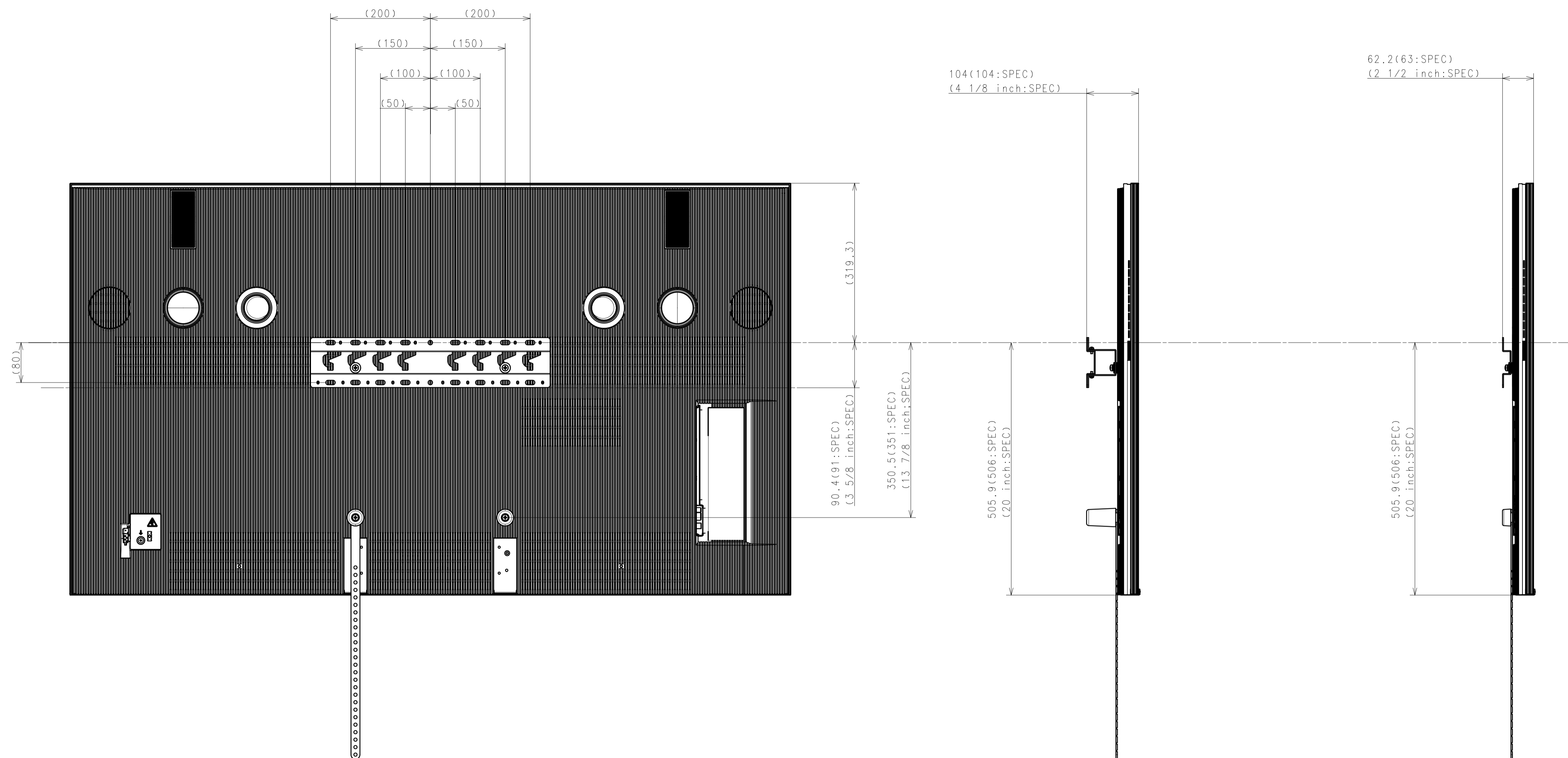
FOR EUROPE

| | | | | | |
|---------------|---------------------------|-------------|------------------|-------------|-------|
| DESCRIPTION 1 | 65 (XR90M2) EXTERIOR VIEW | LEGAL OWNER | Sony Corporation | SCALE | 1:10 |
| DESCRIPTION 2 | 65 (XR90M2) EXTERIOR VIEW | PART NO. | | SHEET/PAGES | 2 / 4 |

SU-WL450

STANDARD

SLIM

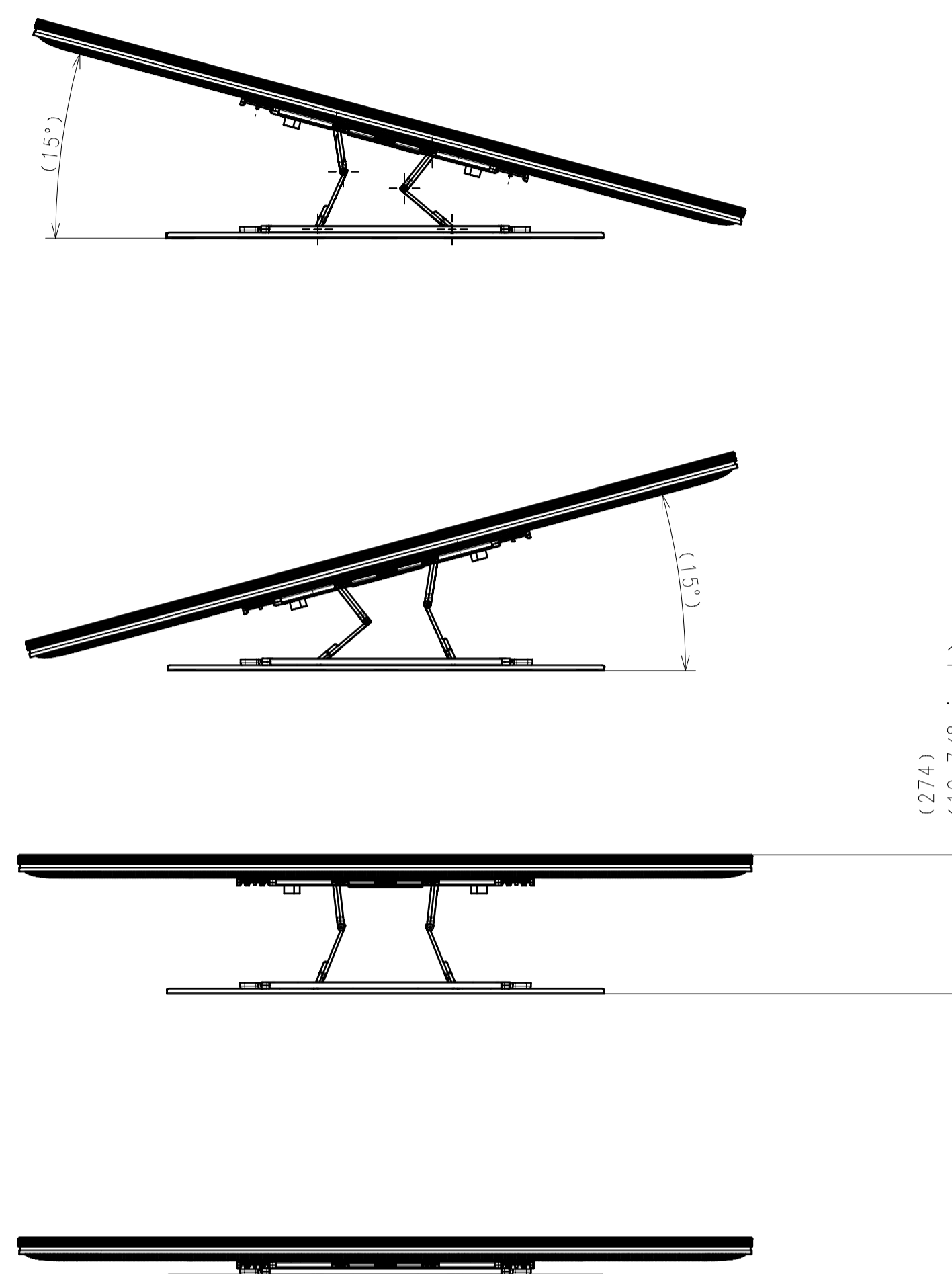
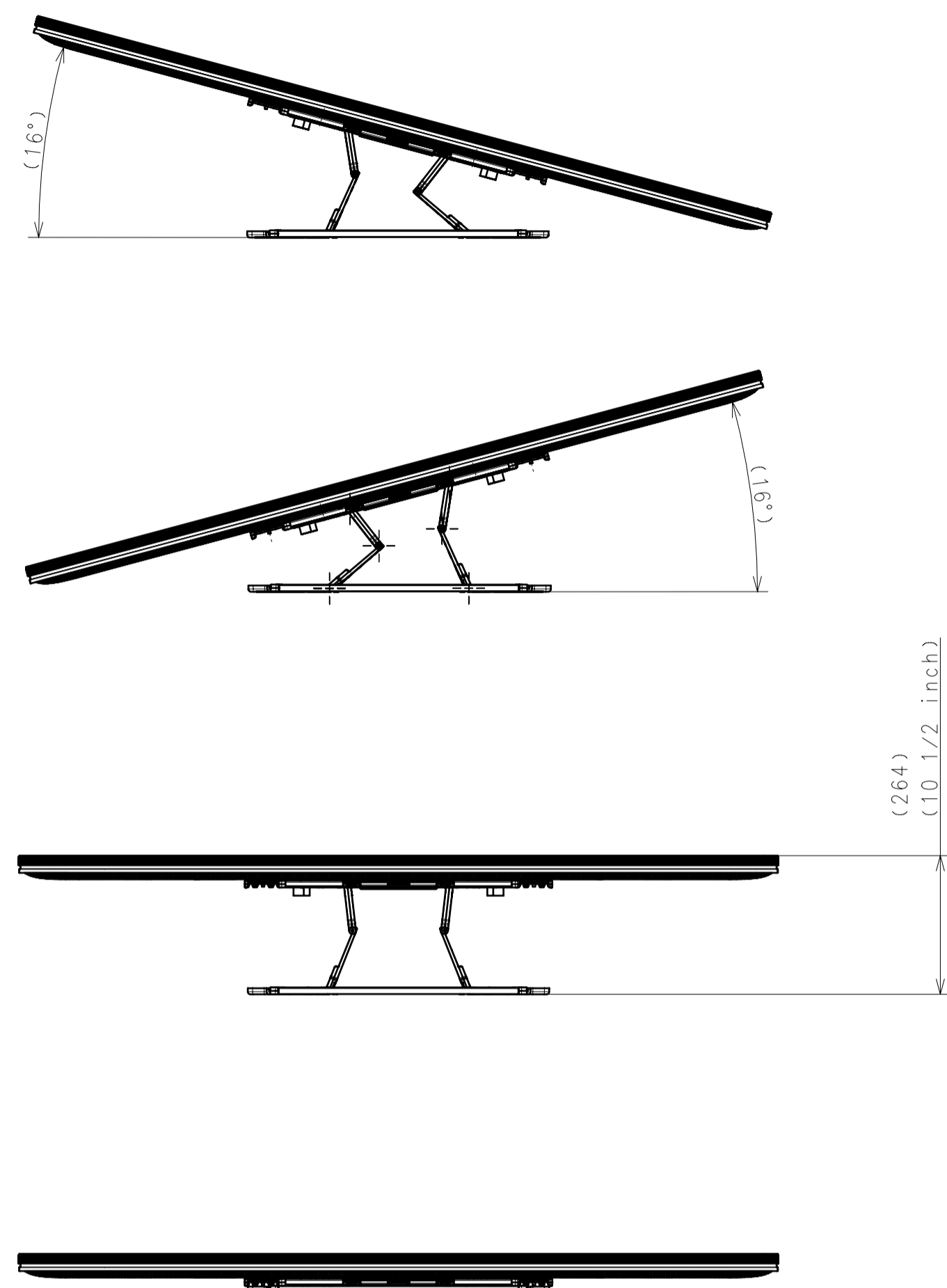


SONY STANDARD DRAWING

| | | |
|---------------------------|------------------|-------------|
| DESCRIPTION 1 | LEGAL OWNER | SCALE |
| 65 (XR90M2) EXTERIOR VIEW | Sony Corporation | 1:5 |
| DESCRIPTION 2 | PART NO. | SHEET/PAGES |
| 65 (XR90M2) EXTERIOR VIEW | | 3 / 4 |

SU-WL900

SU-WL905

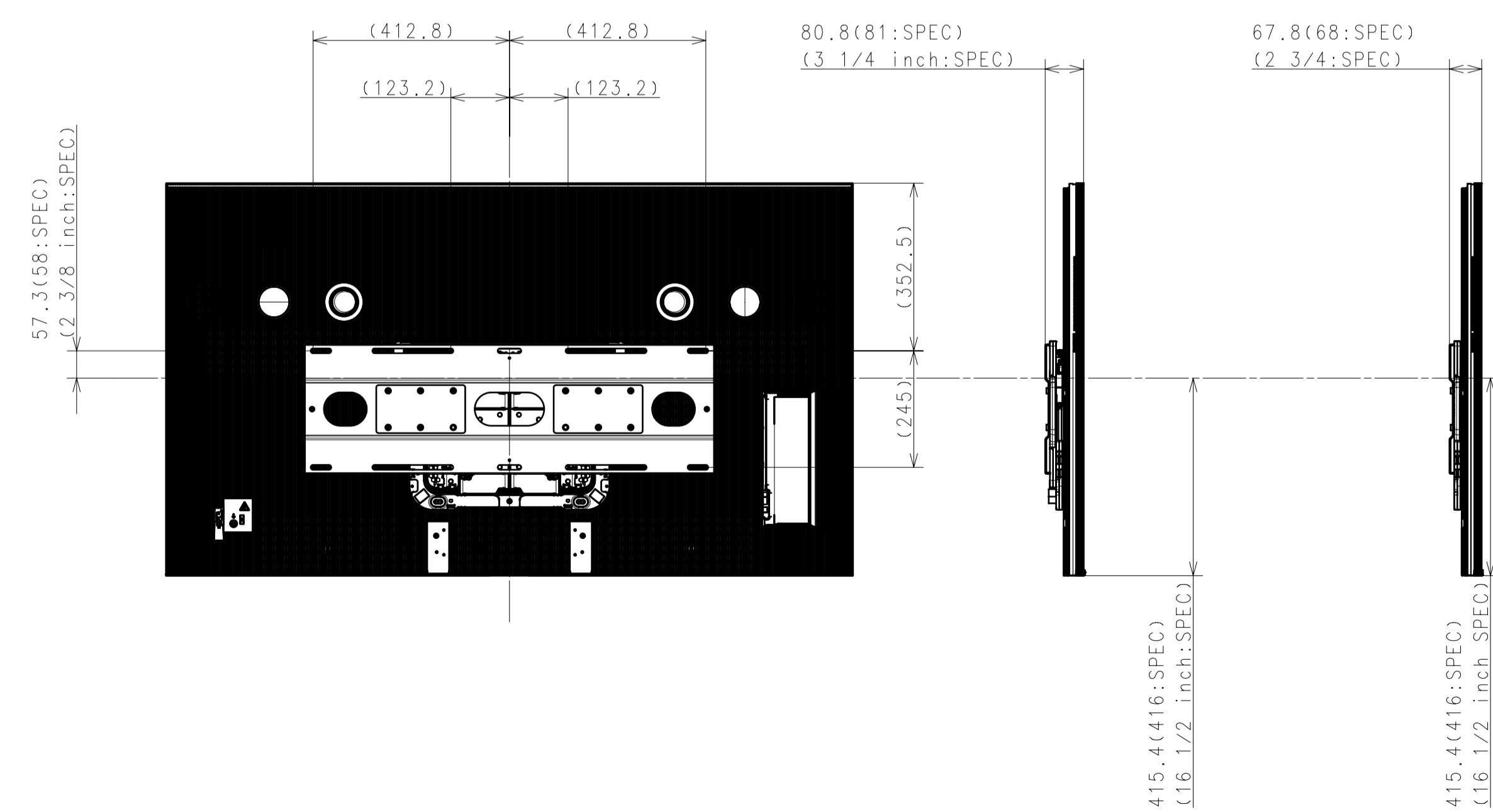
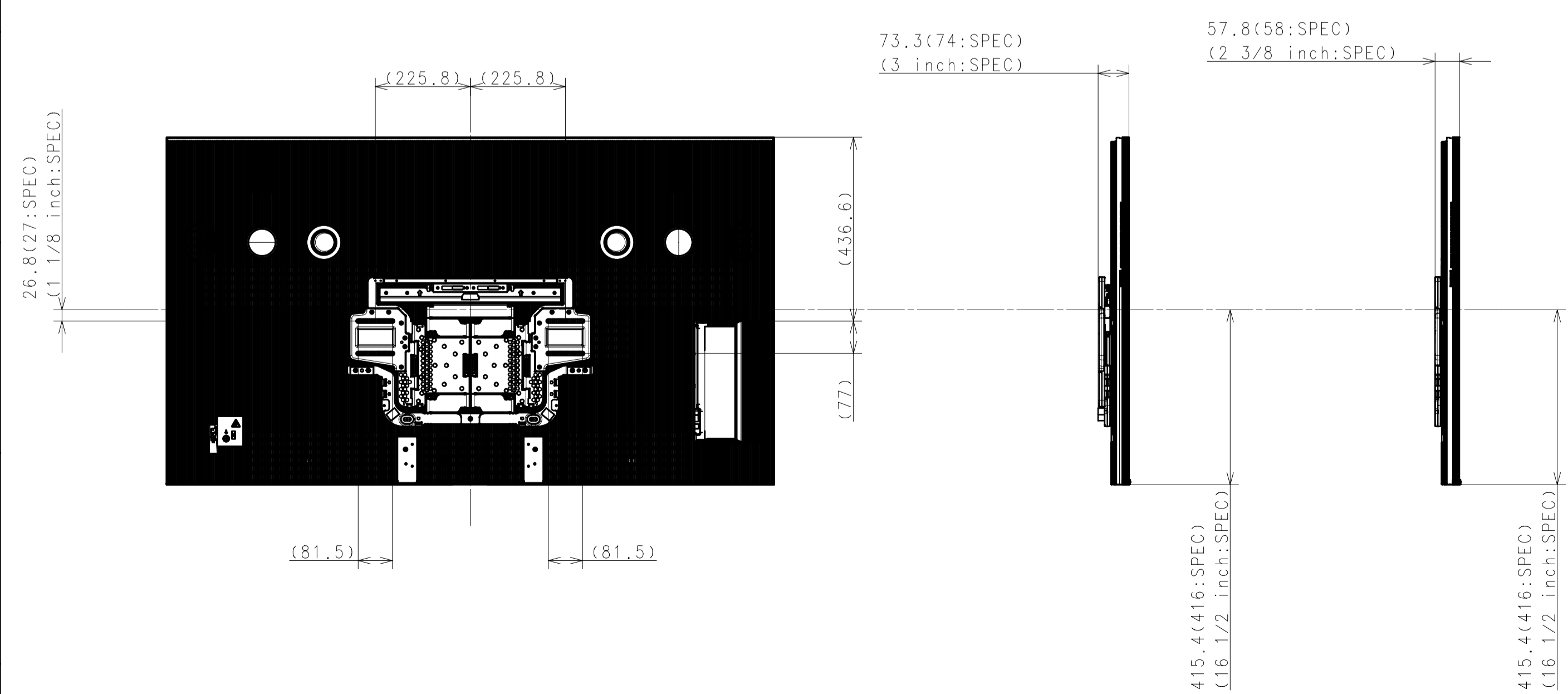


STANDARD

SLIM

STANDARD

SLIM



| | | | | | |
|--------------|---------------------------|--------------|------------------|--------------|-------|
| DESCRIPTION: | 65 (XR90M2) EXTERIOR VIEW | LEGAL OWNER: | Sony Corporation | SCALE: | 1:10 |
| PART NO.: | 65 (XR90M2) EXTERIOR VIEW | | | SHEET/PAGES: | 4 / 4 |