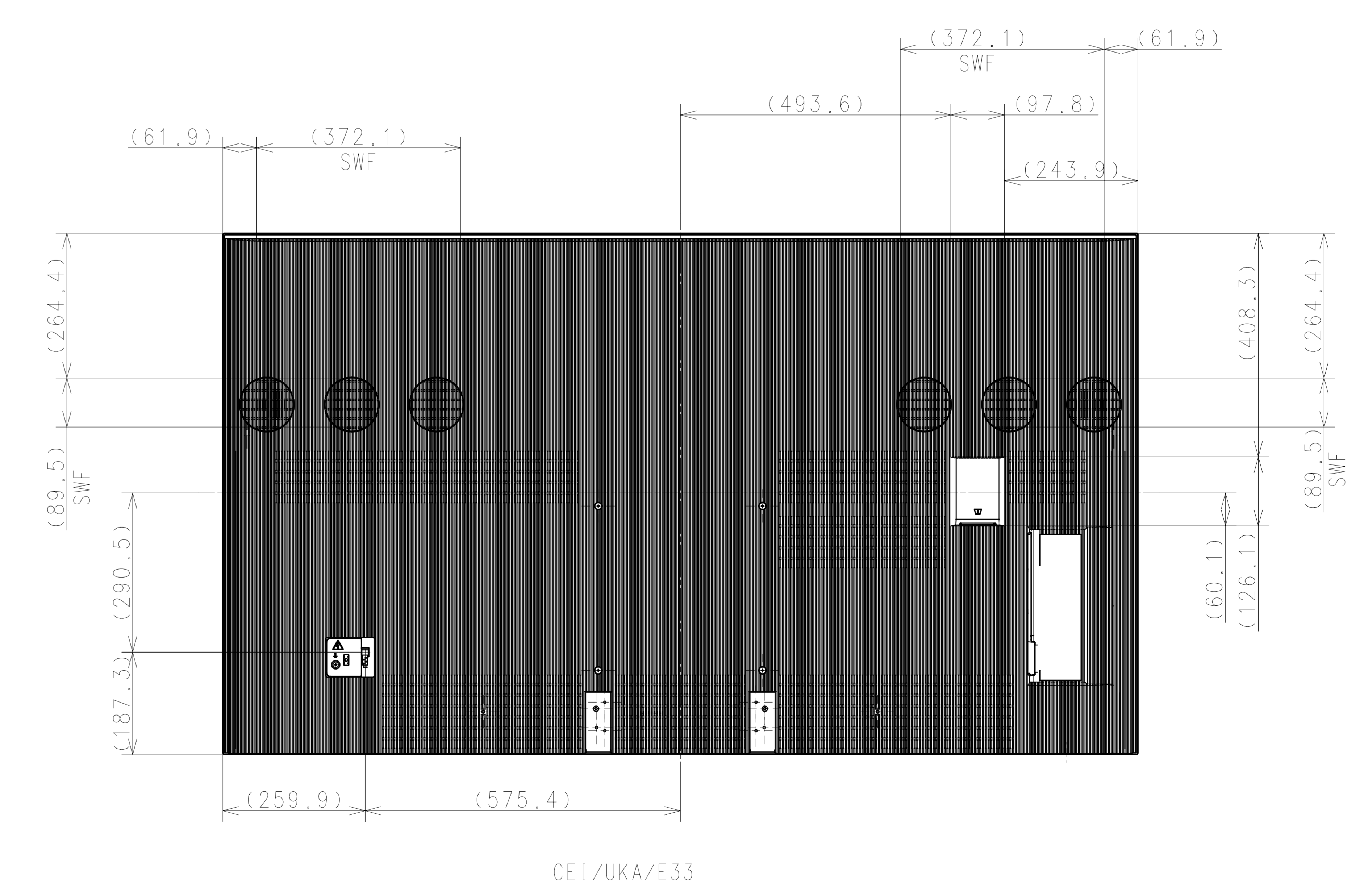
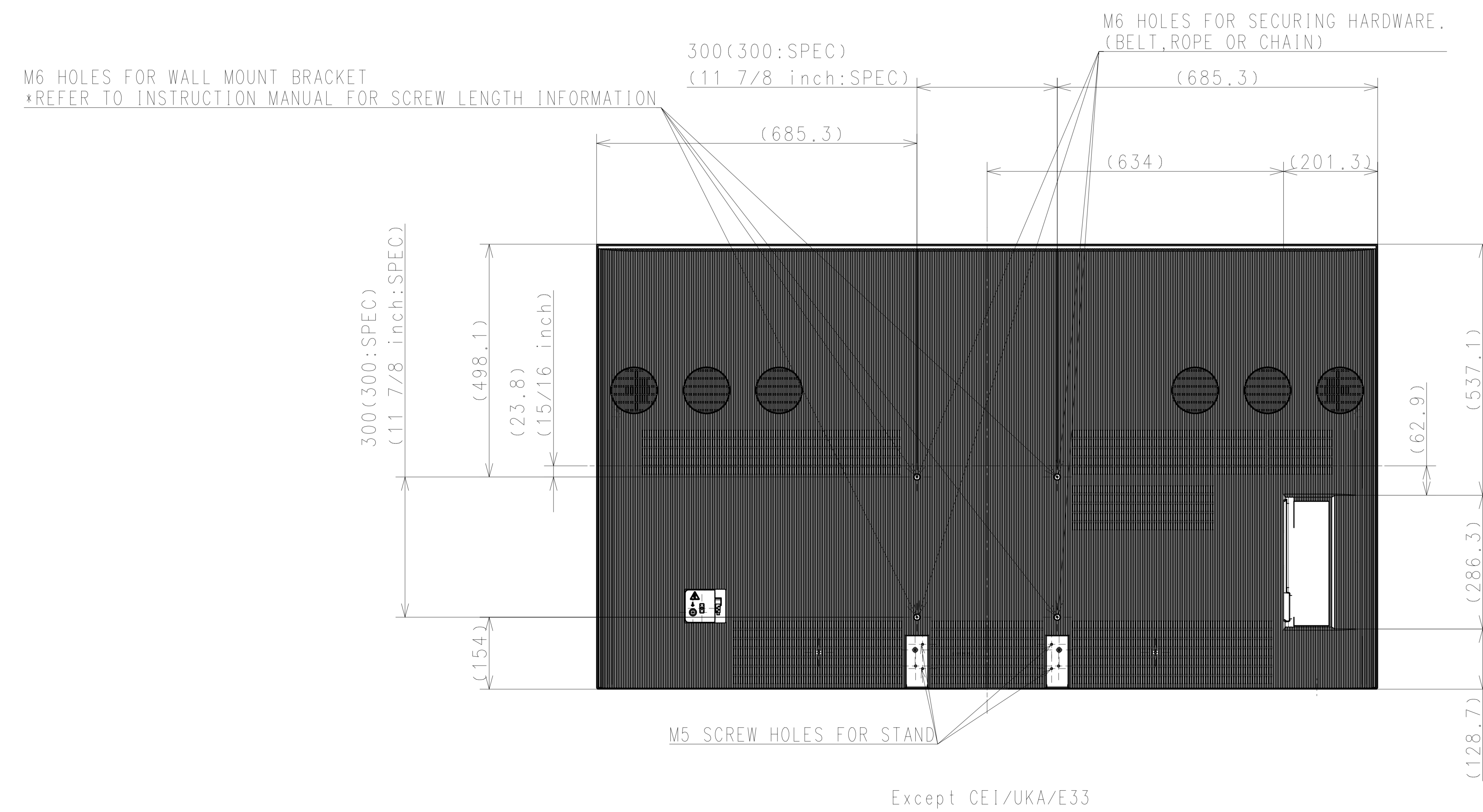
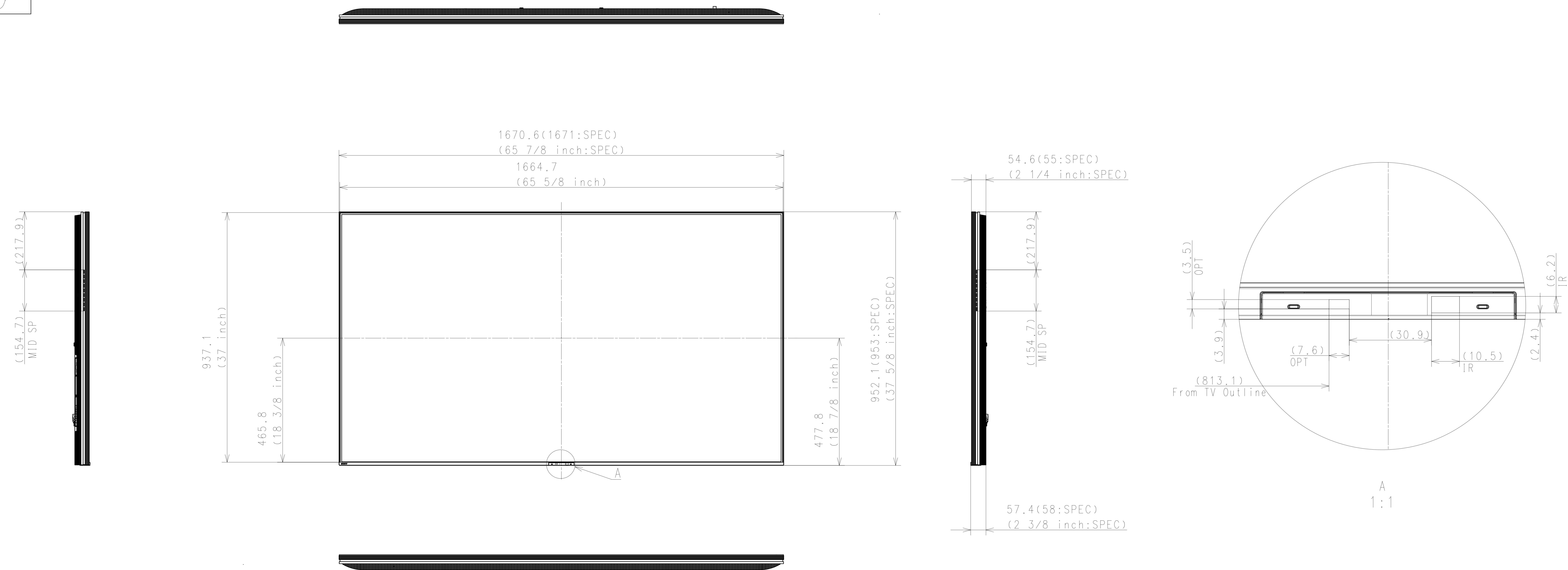


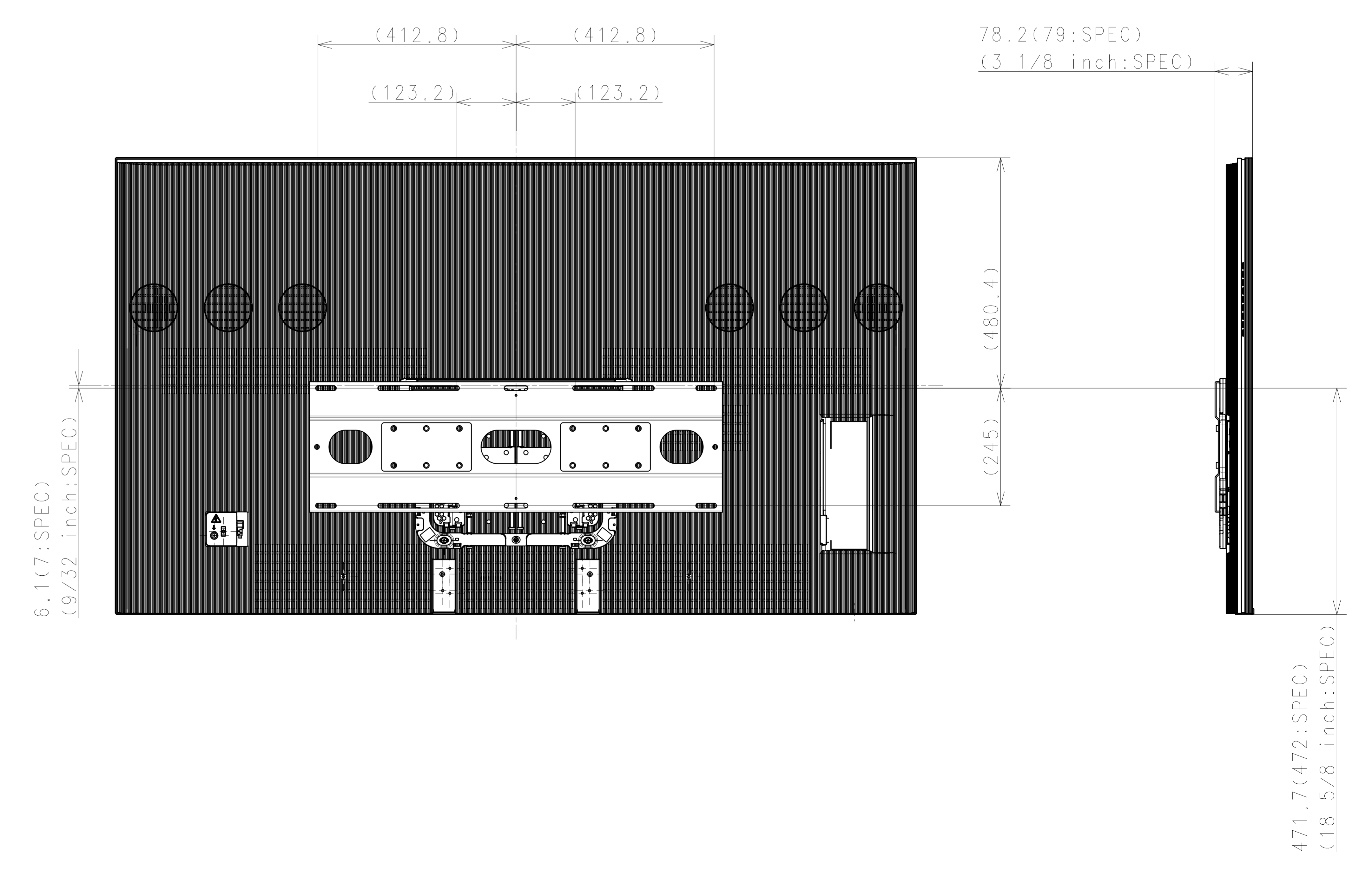
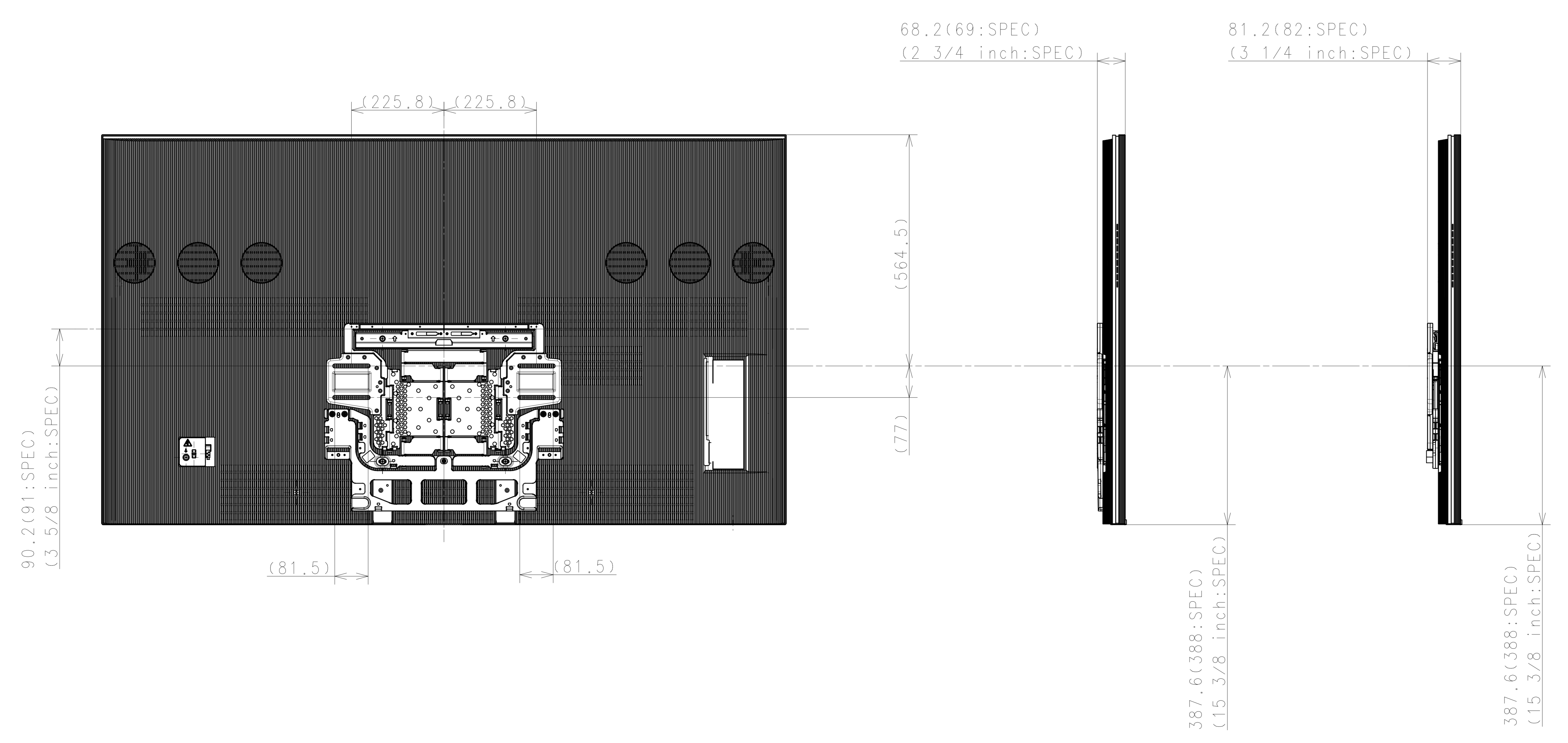
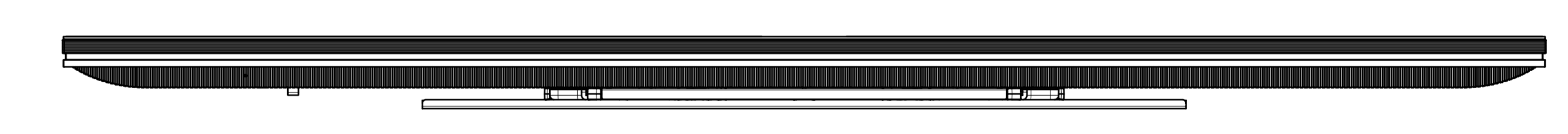
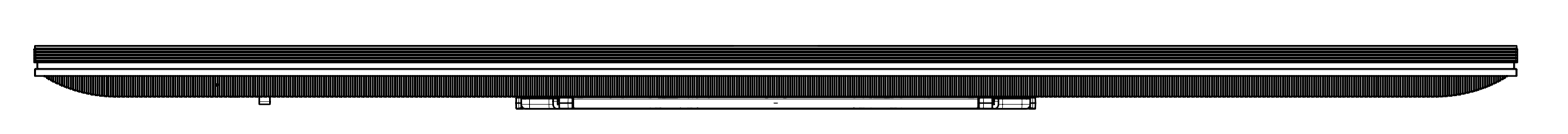
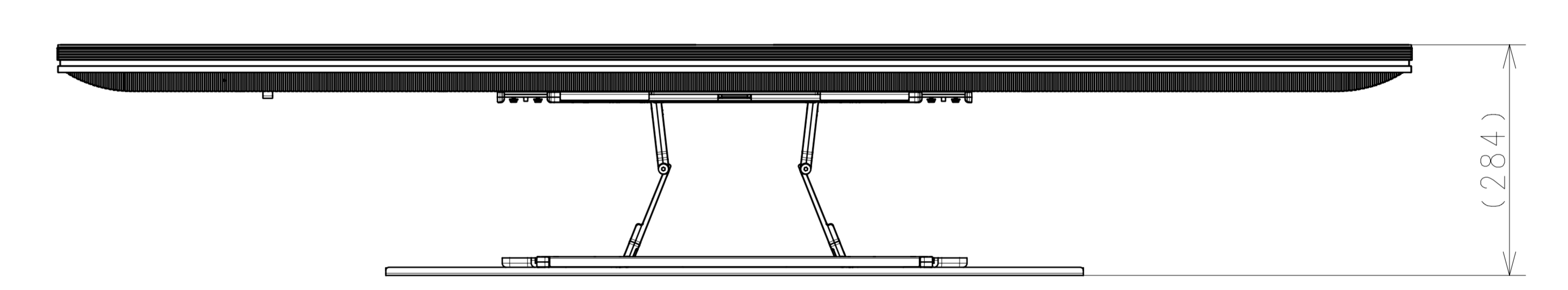
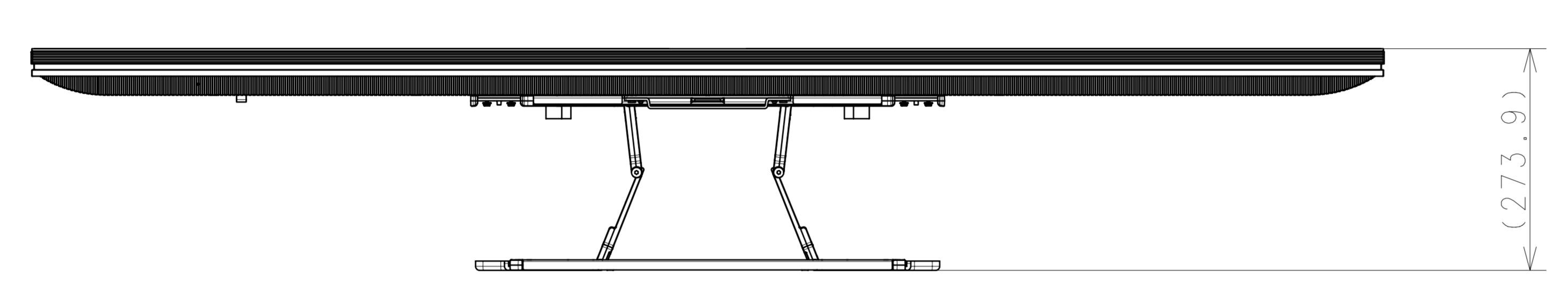
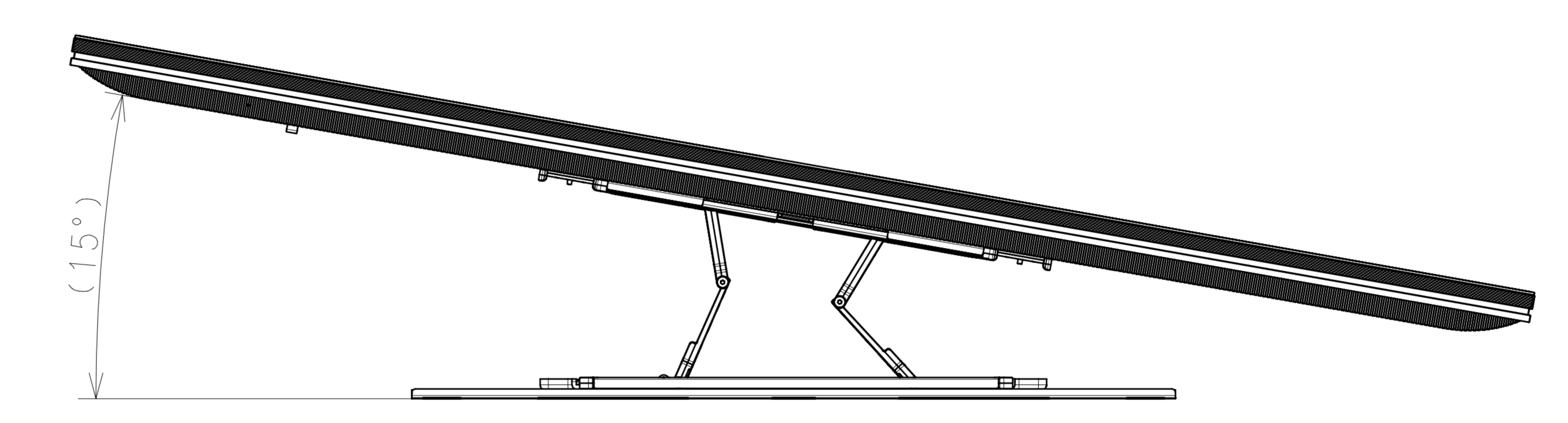
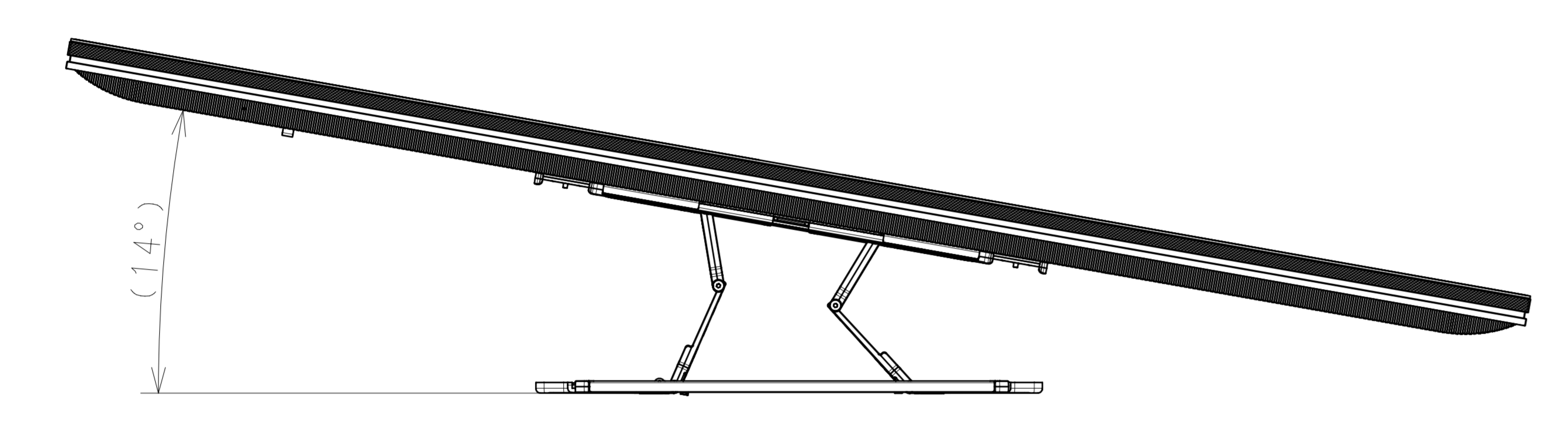
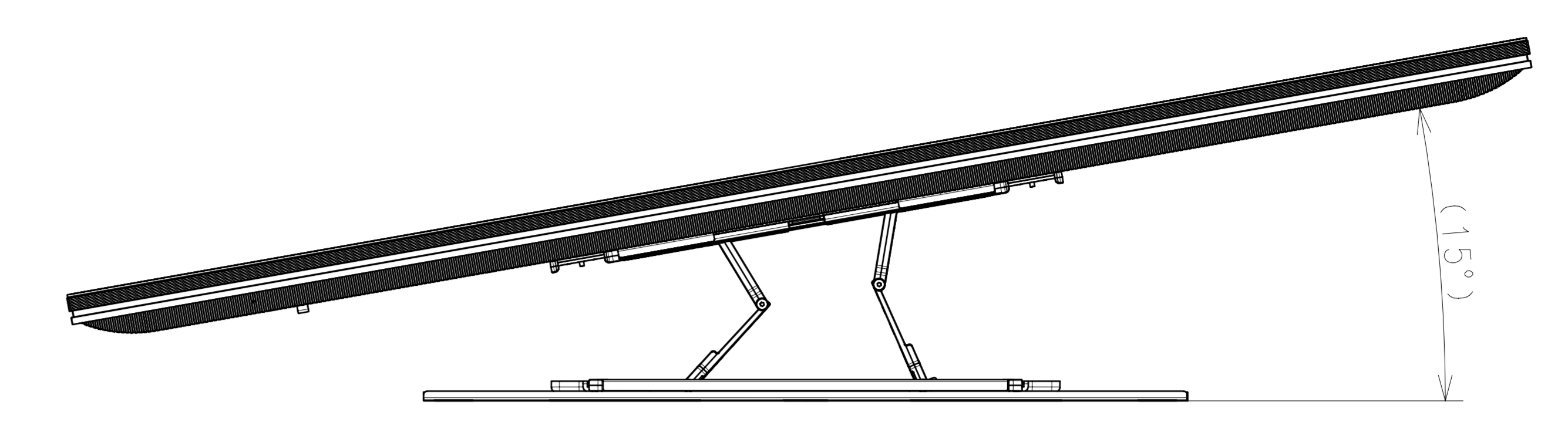
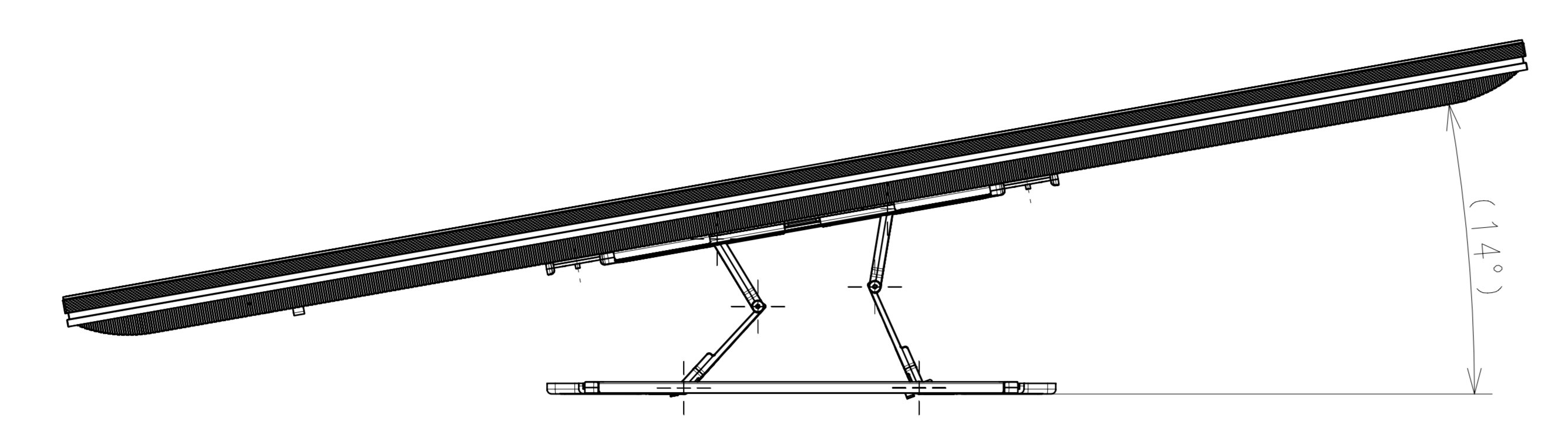
TV only



DESCRIPTION 1	75(XR70M2) EXTERIOR VIEW	SCALE	1:10
DESCRIPTION 2	75(XR70M2) EXTERIOR VIEW	SHEET/PAGES	2 / 4
LEGAL OWNER	Sony Corporation		
PART NO.			

SU-WL900

SU-WL905



SLIM

STANDARD

DESCRIPTION 1 75(XR70M2) EXTERIOR VIEW	LEGAL OWNER Sony Corporation	SCALE 1:10
DESCRIPTION 2 75(XR70M2) EXTERIOR VIEW	PART NO.	SHEET/PAGES 4 / 4