

# VTC-TNB2LPR

Transcendent Series 2 MegaPixel License Plate Recognition  
WDR IP Motorized Bullet Camera



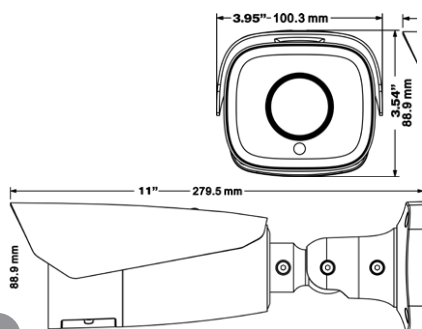
## KEY FEATURES

- Advanced Starlight Technology Offers Dramatically Higher Sensitivity to Light Producing Color Images in Very Dark & Night Scenes
- 1/2.8" 2.0 Megapixel CMOS Image Sensor
- 1080P (1920 × 1080), 720P (1280 × 720), D1, CIF, 480 × 240
- 7~22mm @ F1.6 Motorized Varifocal Lens
- Field of View - H: 44°~17.6°; V:25.6°~10°; D: 49.7°~20.2°
- 6 Matrix IRs with up to 325' IR Range
- One Channel Audio Input + One Channel Audio Output\*
- Digital Wide Dynamic Range (D-WDR)
- True Mechanical Day/Night function by ICR
- XD-DNR (3D & 2D Digital Noise Reduction)
- License Plate Recognition (LPR), Abnormal Video, Scene Change
- LPR Snapshot: Overview and Cutout of Plate, LPR White List: 10,000
- LPR Capture Speed Range: 0-44m/h (0~70km/h) [Depending on Installation]
- Smart H.265 / H.265+ / H.265 / Smart H.264 / H.264+ / H.264 / MJPEG Compression
- MicroSD Card Slot for Local Recording (Up to 128GB)
- Remote Viewing via CMS, Internet Explorer, and iOS & Android Apps
- ONVIF Compliant
- IP67 Weather Resistance
- Wall Mount Included and Optional Junction Box VT-TJB01 Available
- 12VDC & PoE (Power over Ethernet) Operation
- 3-Year Warranty

## MOUNTS / DIMENSIONS



**VT-TJB01**  
Optional Junction Box for Use with Select Transcendent Bullet Cameras



## RECORDERS



Pair with **VITEK Transcendent Series Network Recorders** supporting **Advanced Analytics and PoE**, as well as **License Plate Recognition: VT-TNR818PF, VT-TNR1646PF, VT-TNR3216PF, VT-TNR6480E1, VT-TNV128E1**

## SPECIFICATIONS

Image Sensor	1/2.8" 2.0 Megapixel Progressive Scan CMOS
Image Size	2 MegaPixel (1920 × 1080)
Resolution	1080P (1920 × 1080), 720P (1280 × 720), D1, CIF, 480 × 240
Min. Illumination	0.0026 lux@F1.2,AGC ON; 0 lux w/ IR / 0.005 lux@F1.6, AGC ON; 0 lux w/ IR
Electronic Shutter	1 / 25 s ~ 1 / 100000s
Lens	7~22mm Motorized Varifocal Lens @ F1.6
IR LEDs, Distance	6 Matrix Style IRs, Up to 325'
Video Compression	Smart H.265/(+), H.265, Smart H.264/(+), H.264, MJPEG
Audio Compression	G.711A / G.711U
Main-Stream	60Hz: 1080P/720P (1~30fps); HFR Mode: 1080P/720P (60Hz: 1~60fps; 50Hz: 1~50fps) 50Hz: 1080P/720P (1~25fps)
Sub Stream, Third Stream	60Hz: 720P/D1/CIF (1~30fps); 50Hz: 720P/D1/CIF/480x240 (1~25fps)
Bit Rate / Type	64 Kbps ~ 6 Mbps / VBR + CBR
Wide Dynamic Range	120dB
Digital Noise Reduction	XD-DNR (3D & 2D-DNR)
Other Features	Backlight / Highlight Compensation, Defog
Image Setting	ROI, Saturation, Brightness, Chroma, Contrast, Sharpen, NR; Adjustable through client software or browser
Analytics	License Plate Recognition, Abnormal Video, Scene Change
Audio	1 Ch. Audio In + 1 Ch. Audi Out*
Alarm	1 Ch. Alarm In + 1 Ch. Alarm Out
Smart Alarm	Motion Detection, SD Card Error, SD Card Full
General Functions	Watermark, IP Filter, Video Mask, Illegal Login Lock
Region of Interest (ROI)	Each ROI to be configured separately
Network	RJ45
Hardware Reset	Yes
Analog Video Output	No
Audio	1 Ch. Audio In + 1 Ch. Audio Out*
Local Storage	Built-in Micro SD card slot up to 128GB
Remote Viewing	CMS / Web Browser / Mobile (iOS/Android)
Supported Browsers	Internet Explorer, Chrome and Firefox with IE Tab
Interface Protocol	ONVIF
Weather	IP67
Power Input	12VDC / PoE
Consump. (12VDC, PoE)	(12VDC) 210mA (IRs Off) / 545mA (on), (PoE) 4W (IRs off) / 7.8W (on)
Working Environment	-22° ~ 140° / < 95% Humidity
Weight	36.69.5 oz. / 2.29 lbs. / 1.04kg
Dimensions L x W x H	3.95" x 3.54" x 11.00" (100.3mm x 89.9mm x 279.5mm)

\*Please research local, state and federal laws regarding the implementation of audio surveillance.



# VTC-TNB2LPR

Transcendent Series 2 MegaPixel License Plate Recognition WDR IP Motorized Bullet Camera



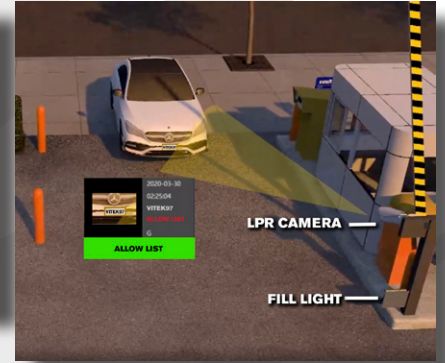
VITEKCCTV.COM  
(888) VITEK-70



## OVERVIEW / USAGE

The **VITEK VTC-TNB2LPR** is an All-in-One Vehicle Access Control System specializing in license plate capture and recognition. These easy-to-install, attractively styled, IP network cameras provide critical security and data management at vehicle entry and departure points, including parking facilities and other areas where vessel identification and management are required.

The **VTC-TNB2LPR** has a "White List" of 10,000 pictures, and a capture speed of up to 44mph / 70kph depending on the installation setting.



## USER INTERFACE

Users set the main monitoring image to cover the area / passageway where vehicles will enter or exit.

Captured images of incoming license plates will be matched against those in the comparison list and relevant information will be displayed as follows:

**Detail information**

	Time: 2020-01-01 12:00:00
	License plate num: 999999
	List Type: Allow list
	Owner: Sarah
	Start Time: 2020-01-01 12:00:00
	End Time: 2020-01-01 12:00:00

Snap Time	08/06/2020 11:21:06 AM	Vehicle Owner	John
Camera	LPR	Mobile	
Plate	999999		

## SET-UP

Easily add license plate detection area and blocked areas (up to four) where detection will not take place. Once this is complete, users add "White List" plate data which is then compared with incoming and outgoing license plates.

Detection Config | Comparison and Linkage | Area | Schedule | Vehicle Database

Detection Area | Blocked Area

Min 10 %  Max 30 %

Draw Area | Clear

Undetected Area: 1

Draw Area | Clear

Save

## APPLICATIONS

The **VTC-TNB2LPR** is a critical addition to any area where vehicle transit occurs and CCTV monitoring take place. From high security construction and industrial areas to VIP and private parking lots, roadways and entries to gated communities to toll booths, ferry terminal kiosks, stadiums, large-scale venues, truck stops, ports and restricted zones.

