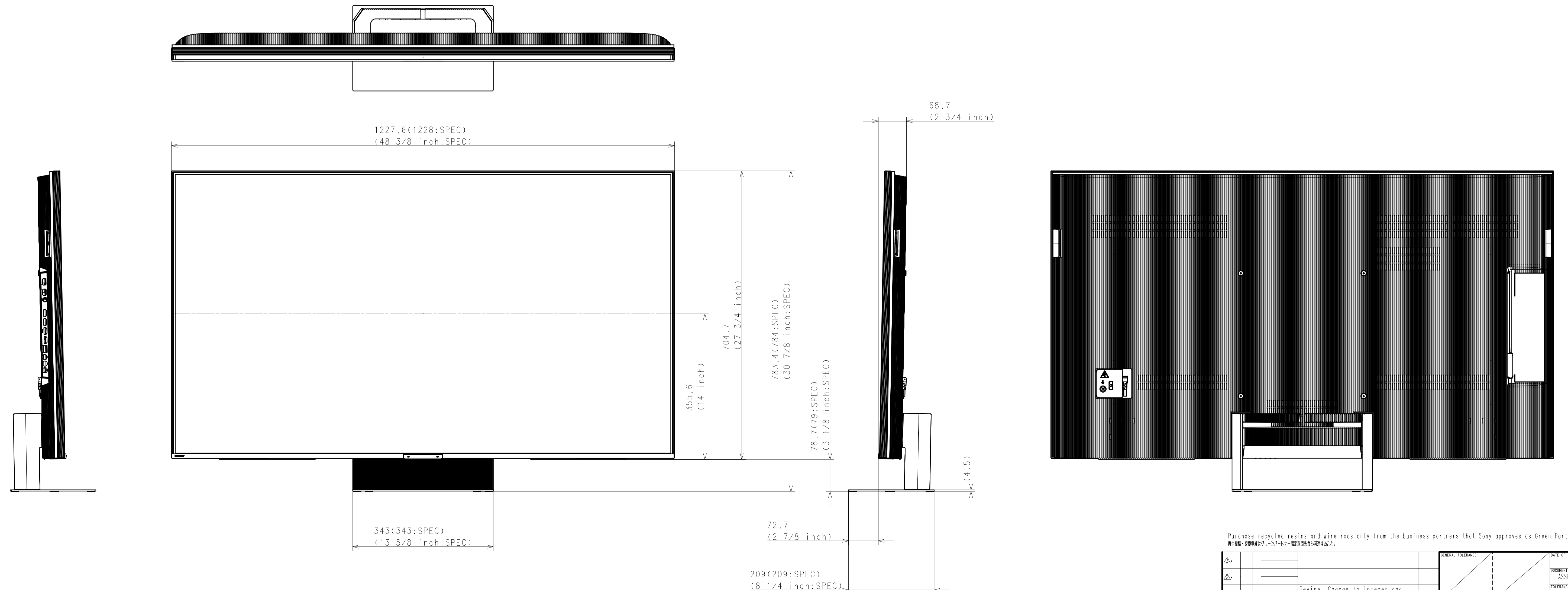


Area	JAPAN	NORTH AMERICA	LATIN AMERICA	EUROPE	GENERAL AREA	CHINA	
Model Name	K-55XR70M2	K-55XR70M2	K-55XR70M2	K-55XR75M2	K-55XR70M2	K-55XR70M2	
SV No.	SV-44406	SV-44301	SV-44312	SV-44396	SV-44332	SV-44379	
DIMENSION	TV only (W x H x D)	-	-	-	-	-	
	TV only (W x H x D (D-Max))	122.8 x 70.4 x 5.4 (5.7) cm	1228 x 704 x 54 (57) mm / 48 3/8 x 27 3/4 x 2 1/4 (2 1/4) inch	1228 x 704 x 54 (57) mm	Approx. 122.8 x 70.4 x 5.4 (5.7) cm	Approx. 1228 x 704 x 54 (57) mm	Approx. 1228 x 704 x 54 (57) mm
	TV only with camera (W x H x D)	-	-	-	-	-	-
	TV with Stand (Standard position) (W x H x D)	122.8 x 78.4 x 20.9 cm	1228 x 784 x 209 mm / 48 3/8 x 30 7/8 x 8 1/4 inch	1228 x 784 x 209 mm	Approx. 122.8 x 78.4 x 20.9 cm	Approx. 1228 x 784 x 209 mm	Approx. 1228 x 784 x 209 mm
	TV with Stand (Sound bar position) (W x H x D)	-	-	-	-	-	-
	TV with Stand (Outside) (W x H x D)	-	-	-	-	-	-
	TV with Stand (Inside) (W x H x D)	-	-	-	-	-	-
	TV with Stand (Outside for Soundbar) (W x H x D)	-	-	-	-	-	-
	TV with Stand (Inside for Soundbar) (W x H x D)	-	-	-	-	-	-
	TV with Stand (Narrow position) (W x H x D)	-	-	-	-	-	-
	Stand Width (Standard position)	34.3 cm	343 mm / 13 5/8 inch	343 mm	Approx. 34.3 cm	Approx. 343 mm	Approx. 343 mm
	Stand Width (Sound bar position)	-	-	-	-	-	-
	Stand Width (Outside)	-	-	-	-	-	-
	Stand Width (Inside)	-	-	-	-	-	-
Stand Width (Narrow position)	-	-	-	-	-	-	
Stand Inner Distance	-	-	-	-	-	-	
Stand Inner Distance (Inside position)	-	-	-	-	-	-	
Stand Inner Distance (Outside position)	-	-	-	-	-	-	
Dimension of Stand (W x H x D)	34.3 x 7.9 x 20.9 cm	343 x 79 x 209 mm / 13 5/8 x 3 1/8 x 8 1/4 inch	343 x 79 x 209 mm	Approx. 34.3 x 7.9 x 20.9 cm	Approx. 343 x 79 x 209 mm	Approx. 343 x 79 x 209 mm	
Dimension of Stand (Low) (W x H x D)	-	-	-	-	-	-	
Dimension of Stand (High) (W x H x D)	-	-	-	-	-	-	
VESA Hole Pitch	30.0 x 30.0 cm	300 x 300 mm / 11 7/8 x 11 7/8 inch	300 x 300 mm	30.0 x 30.0 cm	300 x 300 mm	300 x 300 mm	
WEIGHT	TV Only	18.4 kg	18.4 kg / 40.6 lb	18.4 kg	Approx. 18.4 kg	Approx. 18.4 kg	
	TV with Stand	21.4 kg	21.4 kg / 47.2 lb	21.4 kg	Approx. 21.4 kg	Approx. 21.4 kg	
Remarks							

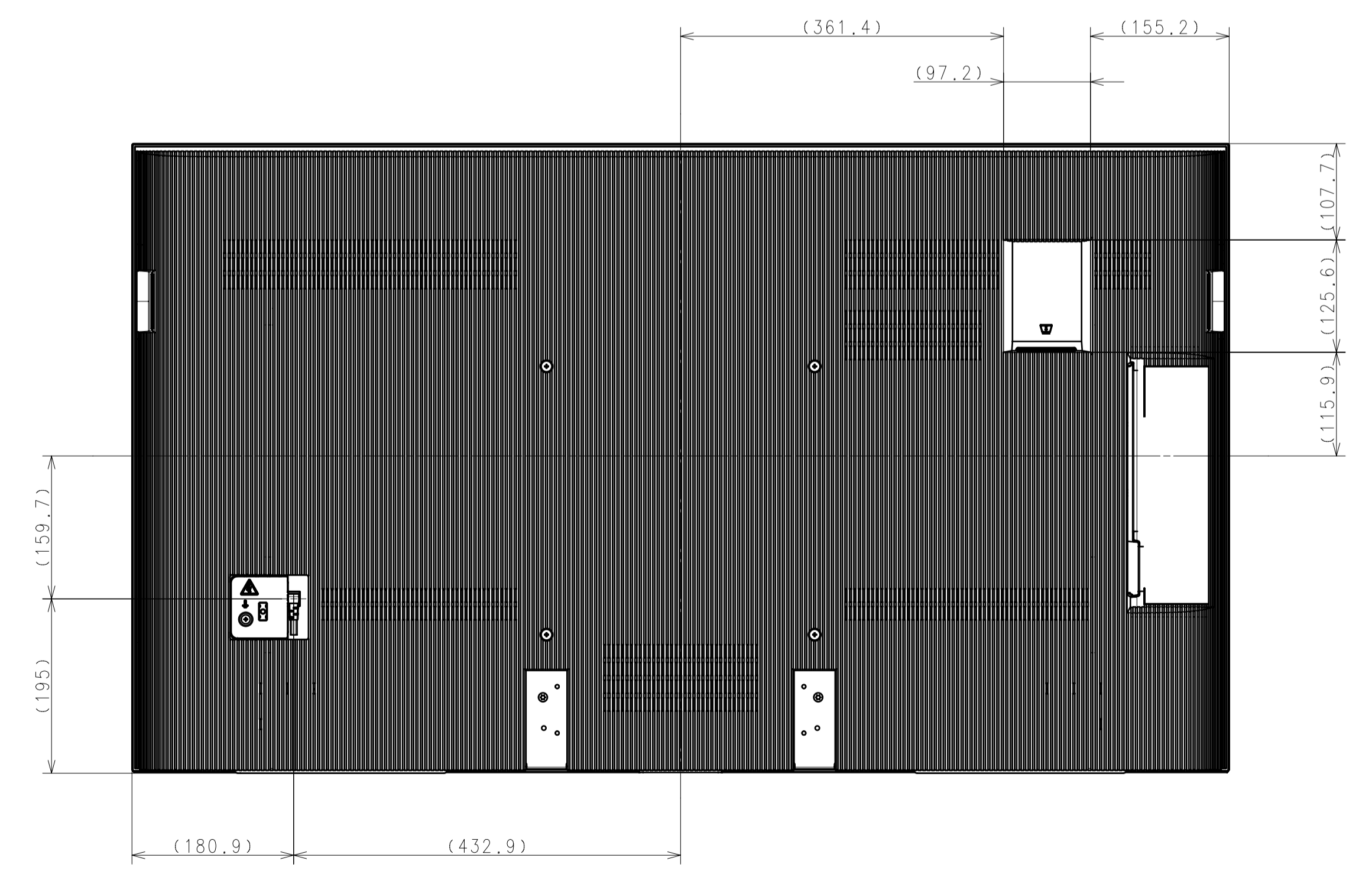
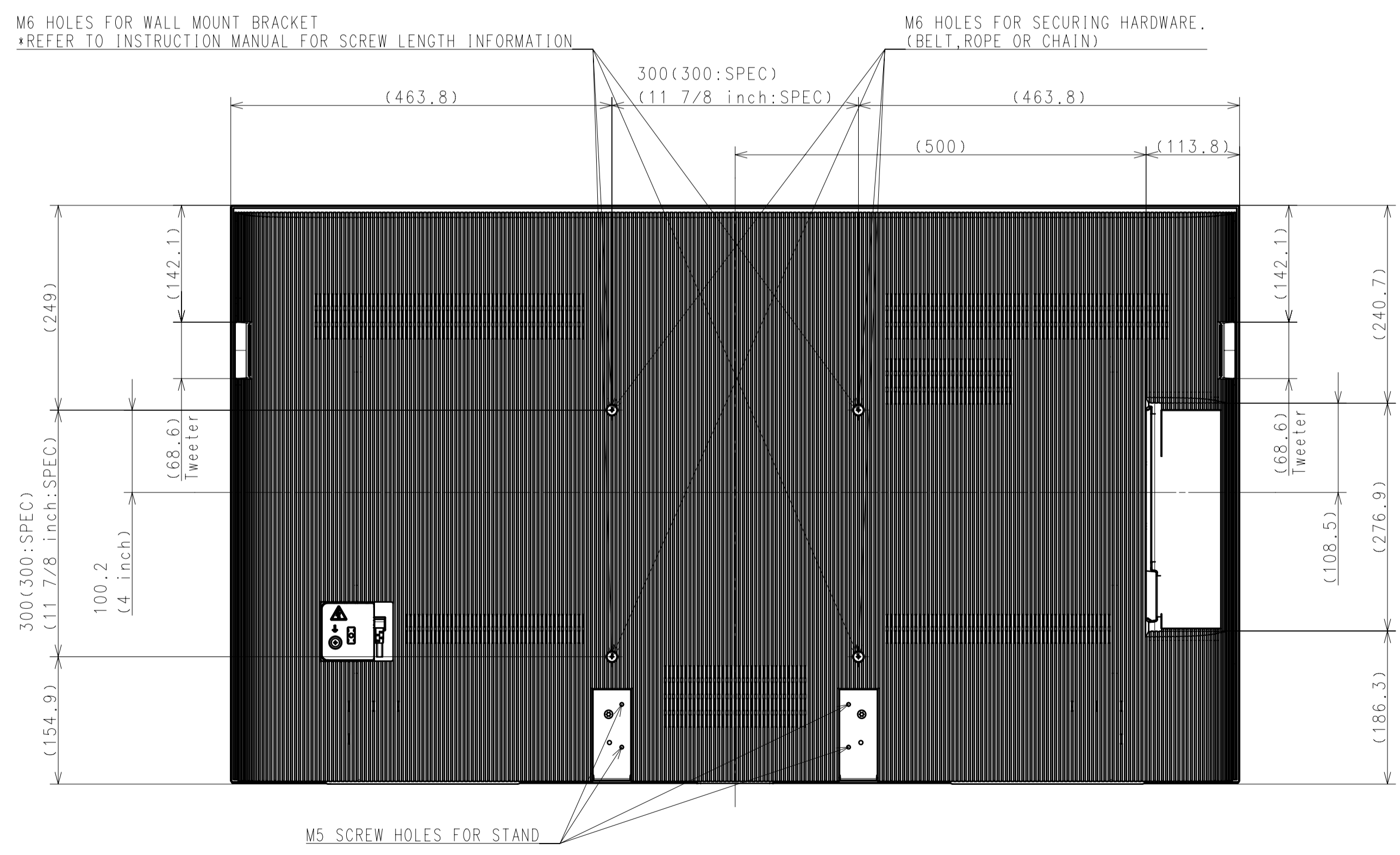
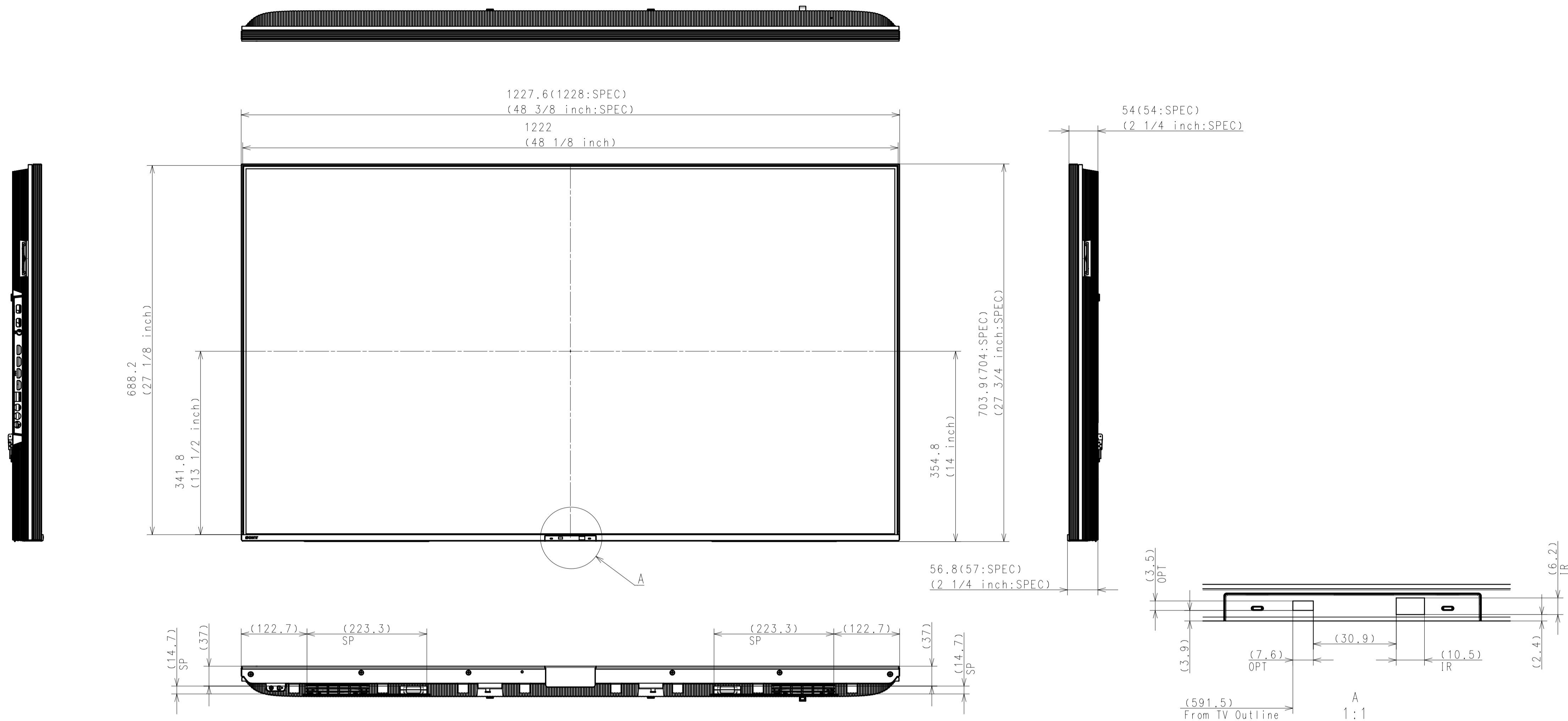
TV with Stand



Purchase recycled resins and wire rods only from the business partners that Sony approves as Green Partners.  
再生樹脂・銅線はグリーンパートナー認定品から調達すること。

DATE OF ISSUE	2025.12.26	REVISION	1
REVISION	2	DATE	2026.01.29
SUFFIX	REV. NO.	DATE	REVISION
HISTORY	2026.01.29	Revise, Change to integer and odd inch.	H. Otsuka
LEGAL OWNER	Sony Corporation		
RESPONSIBLE DEPARTMENT	P1C MD div1 MD dept1	ORIGINAL MODEL	55(XR70M2) EXTERIOR VIEW
PLANNED BY	2025.12.26	DESIGNED BY	2025.12.26
DRAWN BY	2025.12.26	APPROVED BY	2025.12.26
SCALE	1:5	TENTATIVE MODEL	55(XR70M2) EXTERIOR VIEW
SIZE	A1	UNIT	mm
SHEET/PAGES	1/4	SUFFIX	REV. NO.

TV only



Except CEI/UKA/E33

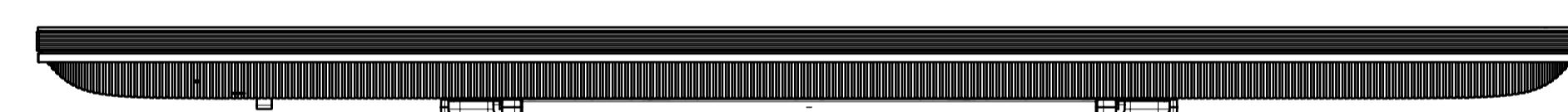
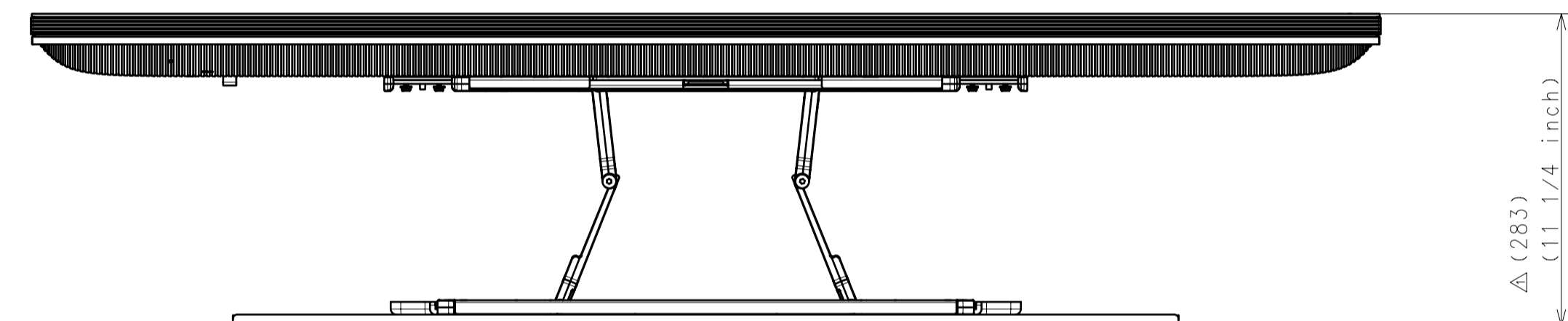
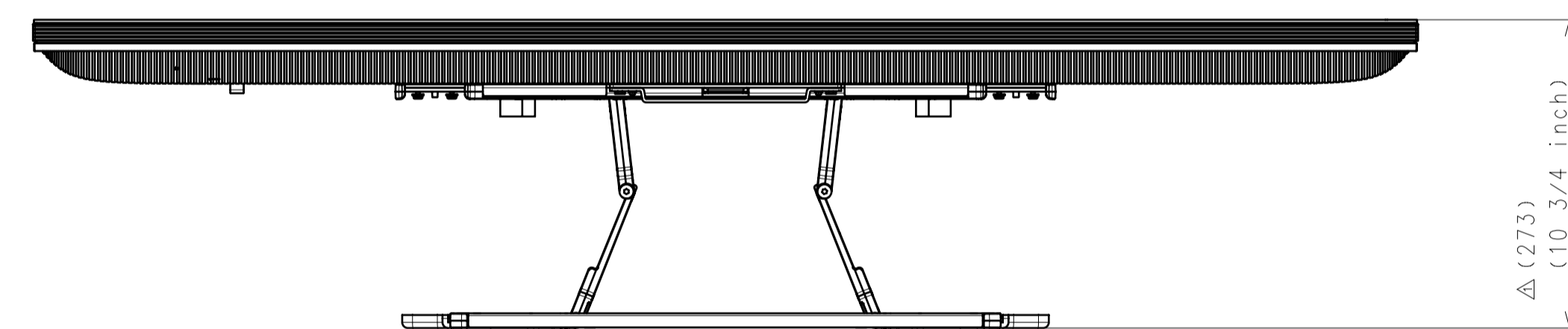
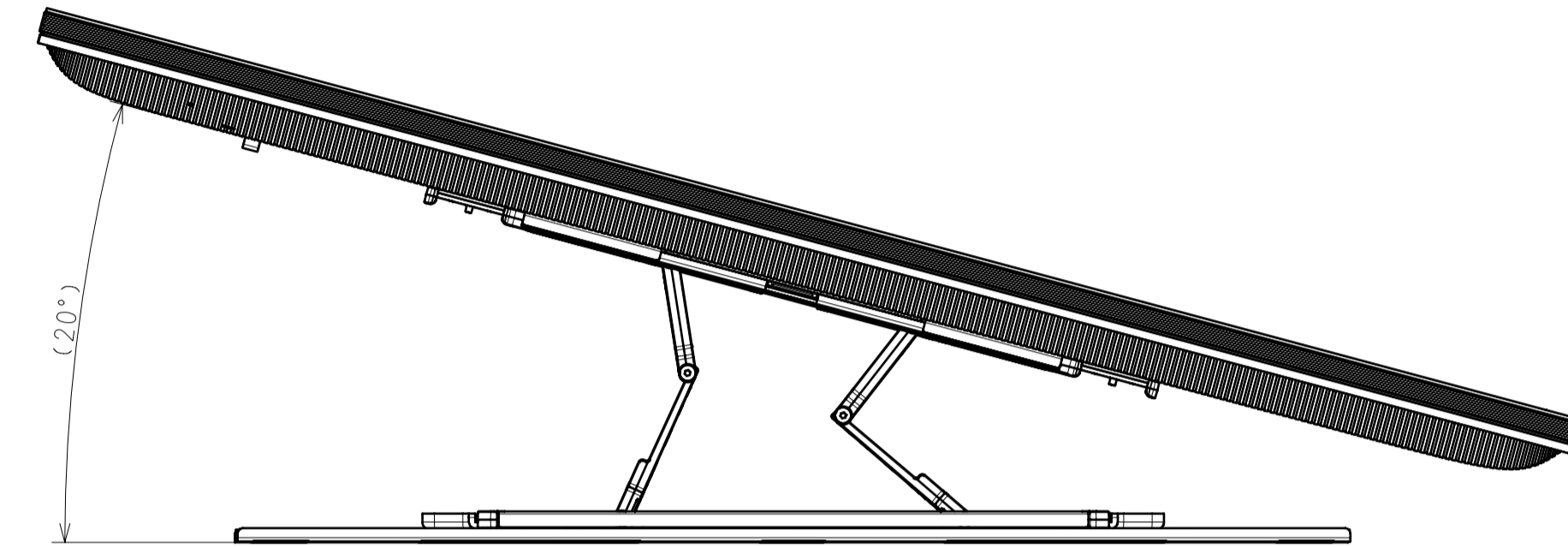
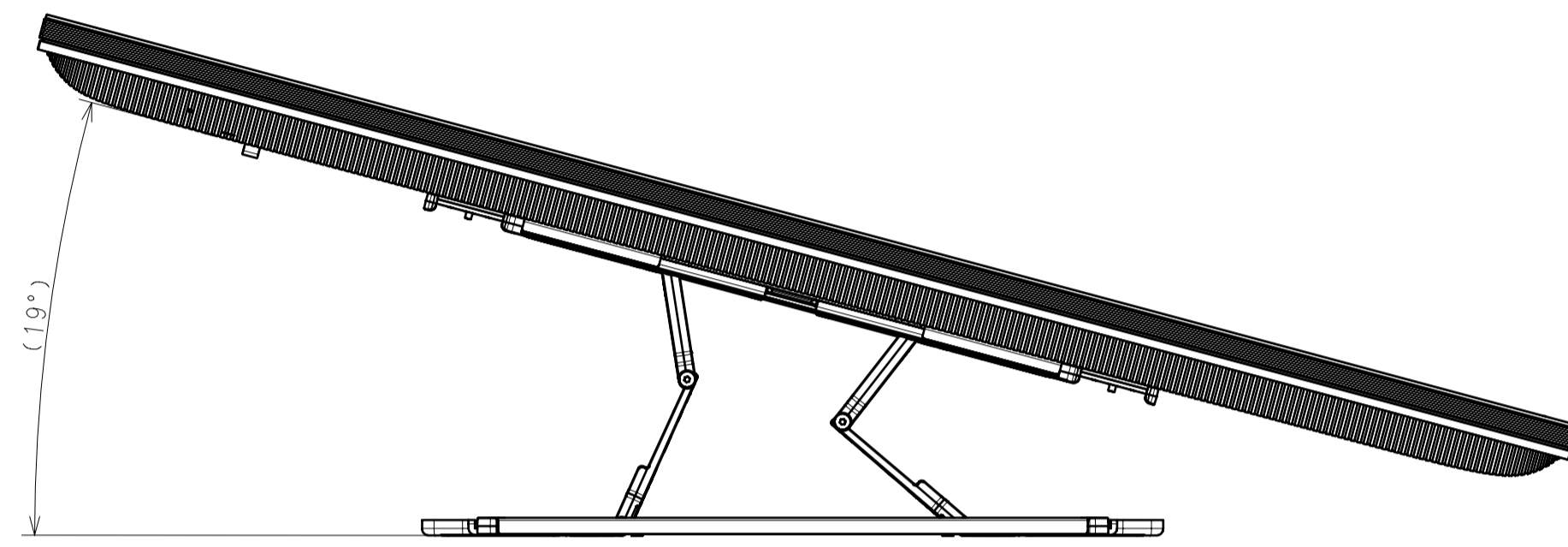
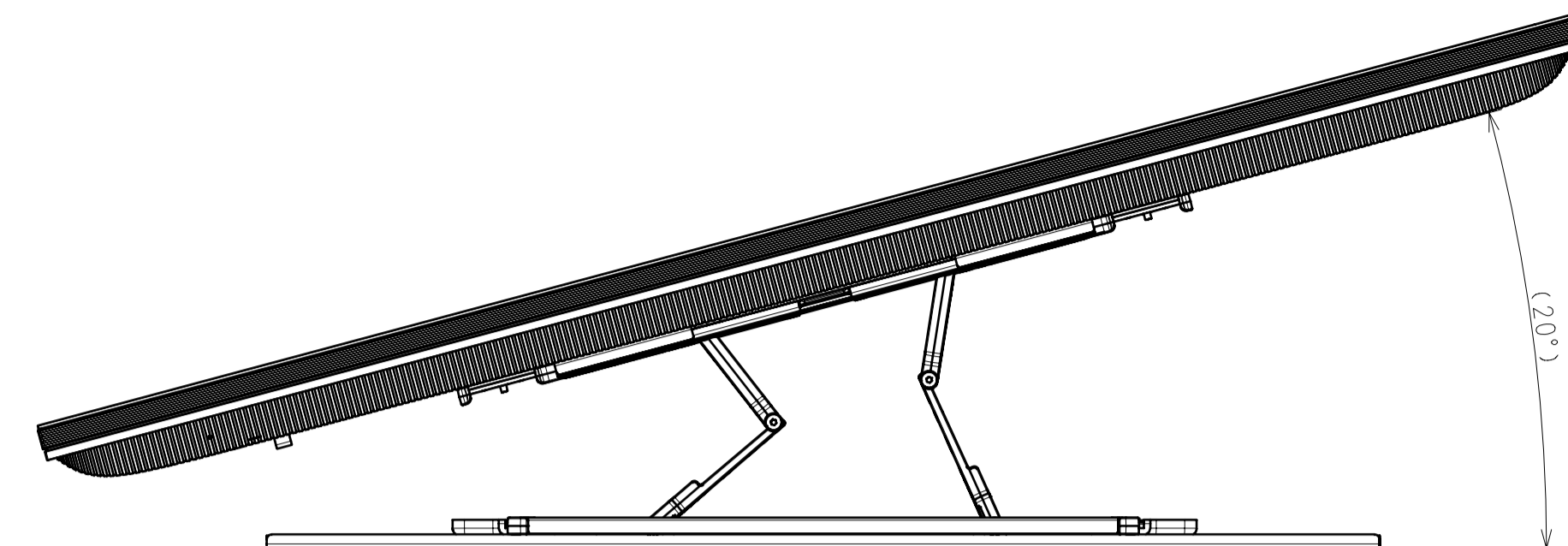
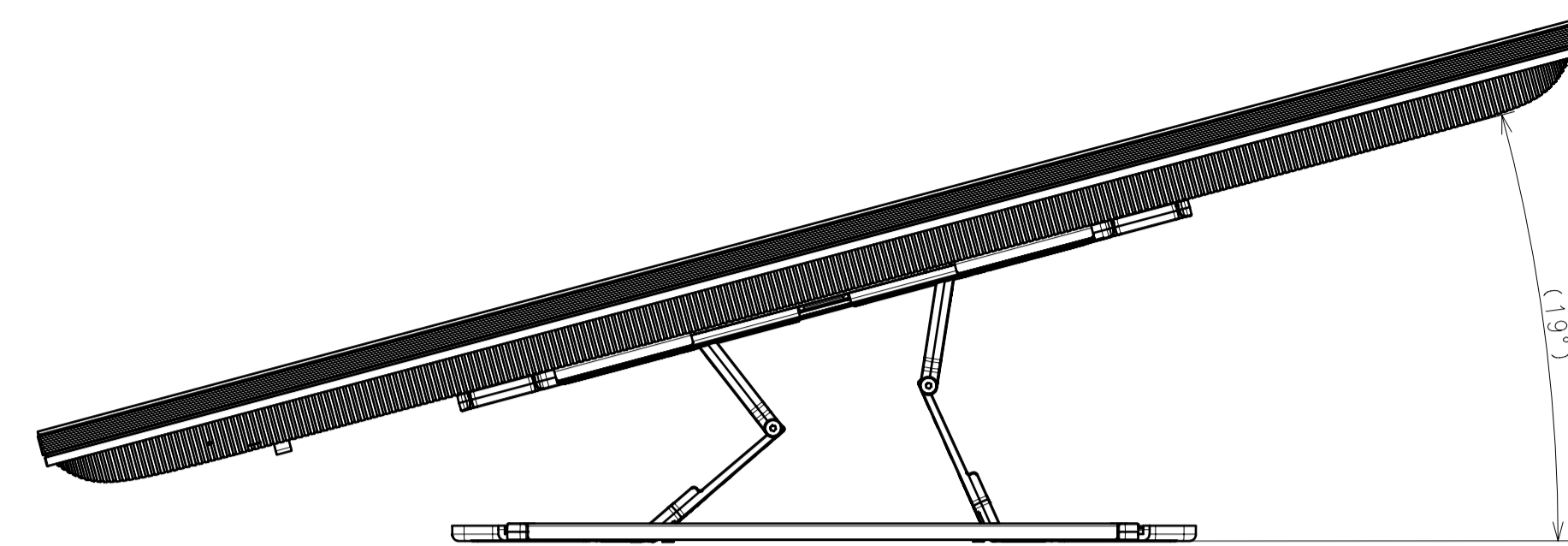
CEI/UKA/E33

DESCRIPTION 1	55(XR70M2) EXTERIOR VIEW	LEGAL OWNER	Sony Corporation	SCALE	1:5
DESCRIPTION 2	55(XR70M2) EXTERIOR VIEW	PART NO.		SHEET/PAGES	2 / 4
DESCRIPTION 3	55(XR70M2) EXTERIOR VIEW				



SU-WL900

SU-WL905



80.5(81:SPEC)  
(3 1/4 inch:SPEC)

67.4(68:SPEC)  
(2 3/4 inch:SPEC)

388.5(389:SPEC)  
(15 3/8 inch:SPEC)

388.5(389:SPEC)  
(15 3/8 inch:SPEC)

117.8(118:SPEC)  
(4 3/4 inch:SPEC)

(412.8)

(412.8)

77.4(78:SPEC)  
(3 1/8 inch:SPEC)

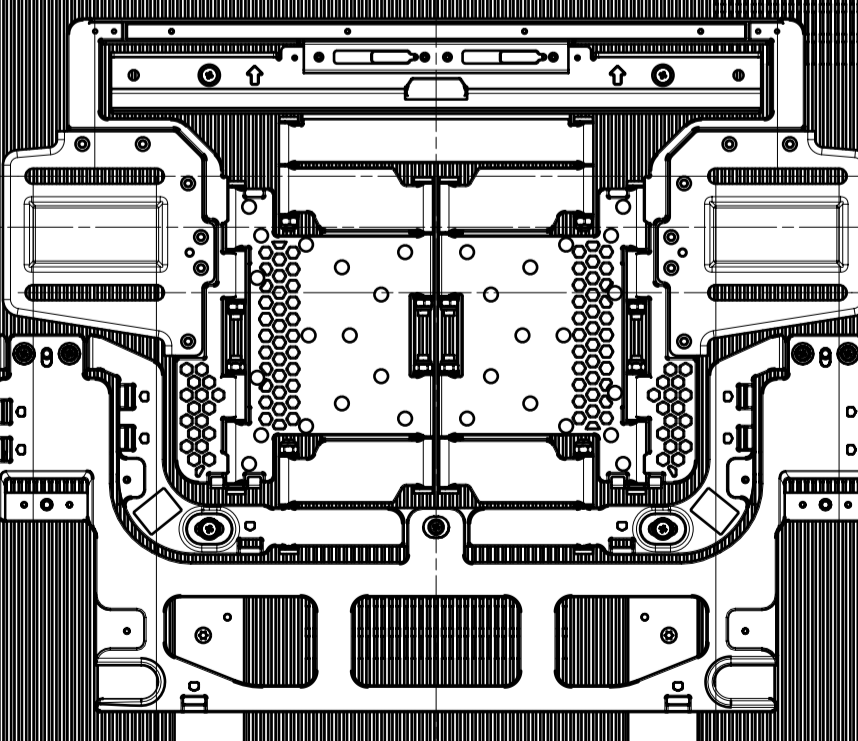
SLIM

STANDARD

33.7(34:SPEC)  
(1 3/8 inch:SPEC)

(225.8) (225.8)

(315.5)



(81.5) (81.5)

(123.2) (123.2)

(231.4)

472.6(473:SPEC)  
(18 5/8 inch:SPEC)

DESCRIPTION 1	55(XR70M2) EXTERIOR VIEW	LEGAL OWNER	Sony Corporation	SCALE	1:5
DESCRIPTION 2	55(XR70M2) EXTERIOR VIEW	PART NO.		SHEET/PAGES	4 / 4