



SBP-250C

Mounting Hole Cover

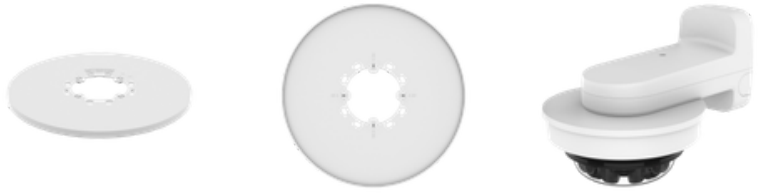


Key Features

- Color : White
 - Material : PC(Polycarbonate)
 - Product dimensions / weight : $\phi 263 \times 10 \text{mm}$ ($\phi 10.35 \times 0.39 \text{''}$) / 146g (0.32lb)
- ※ Totally 5pcs included on package

SBP-250C

Mounting Hole Cover

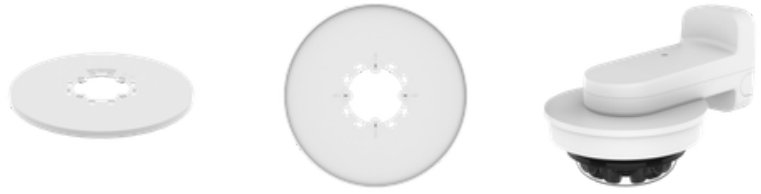


Specifications

Mechanical	
Color	White
Material	PC(Polycarbonate)
RAL code	RAL9003
Product dimensions / weight	ø263x10mm / 146g
Supported products	PNM-C16083RVQ, PNM-C32083RVQ ※ For further compatible models, please visit our website or use Toolbox

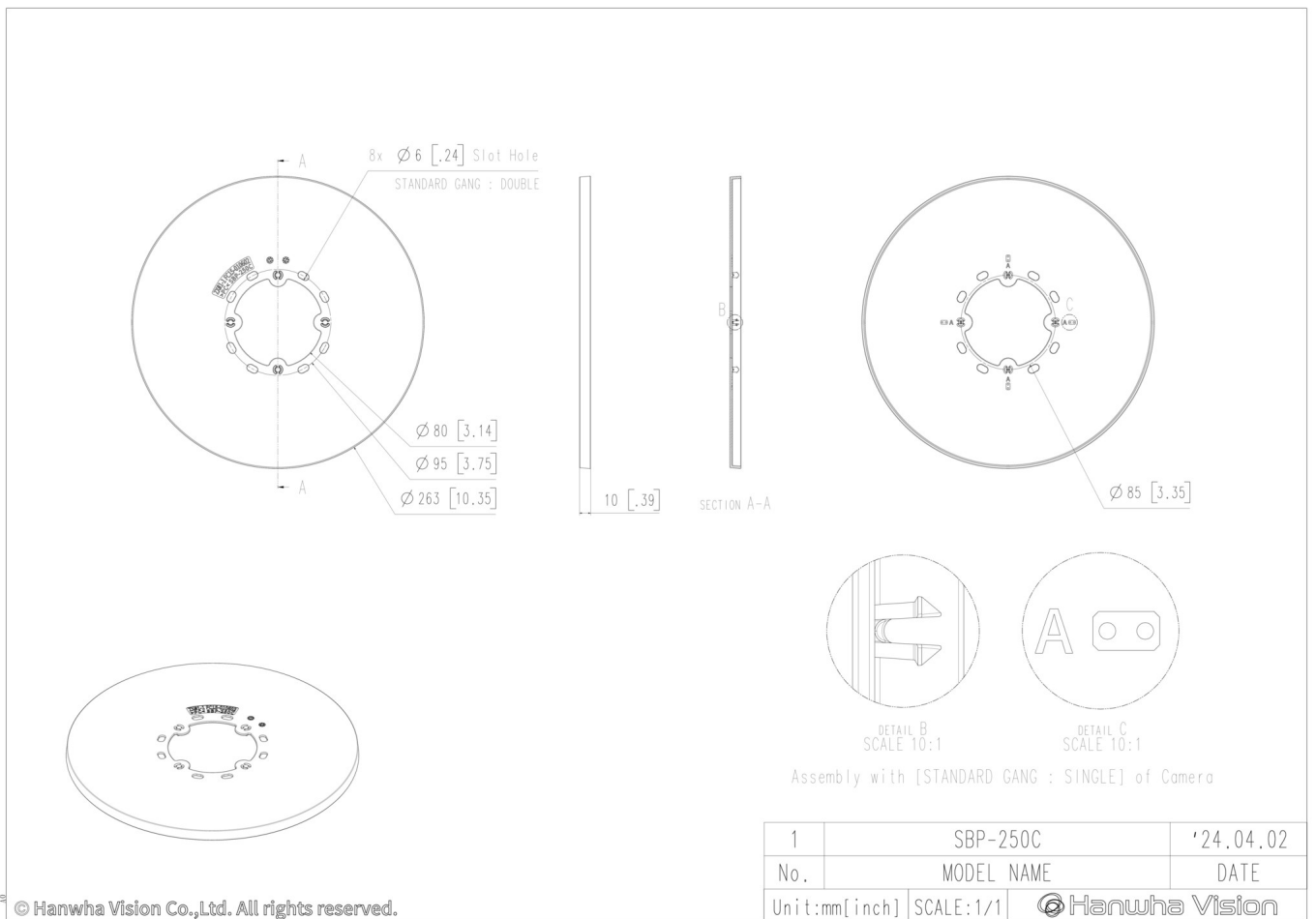
SBP-250C

Mounting Hole Cover



CAD

Unit: mm [inch]



© Hanwha Vision Co.,Ltd. All rights reserved.