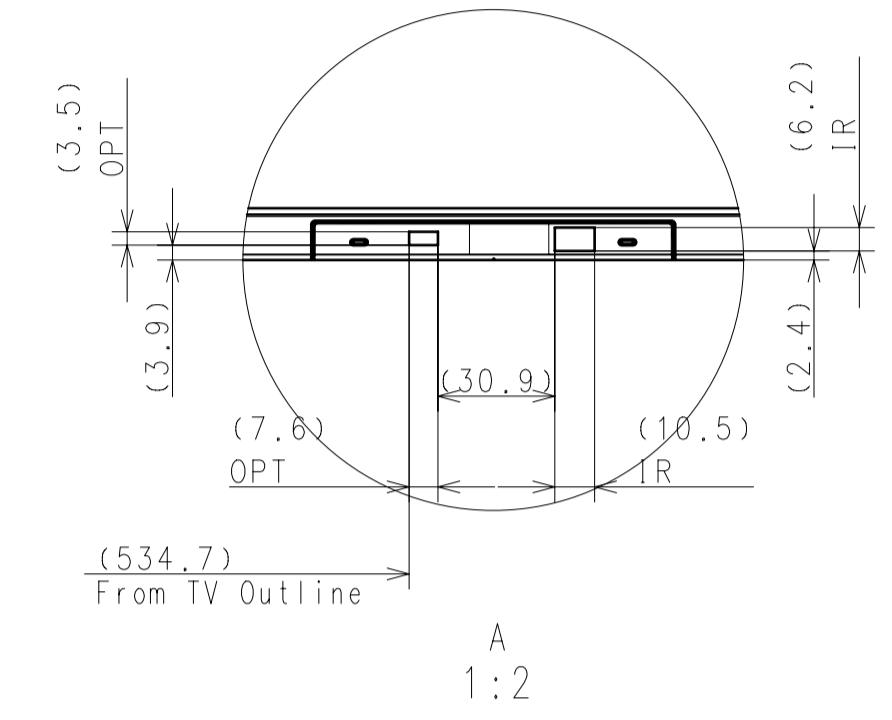
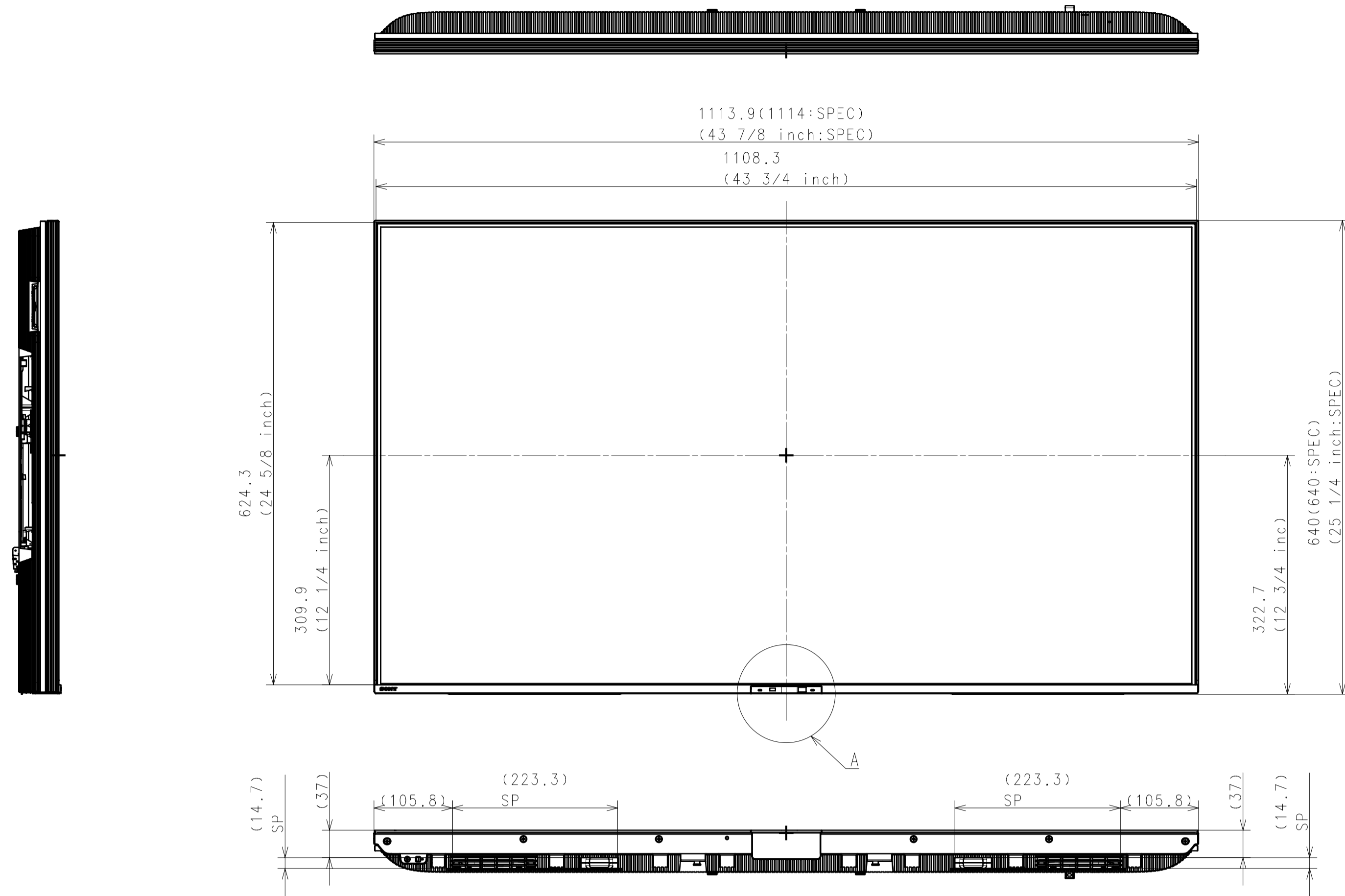


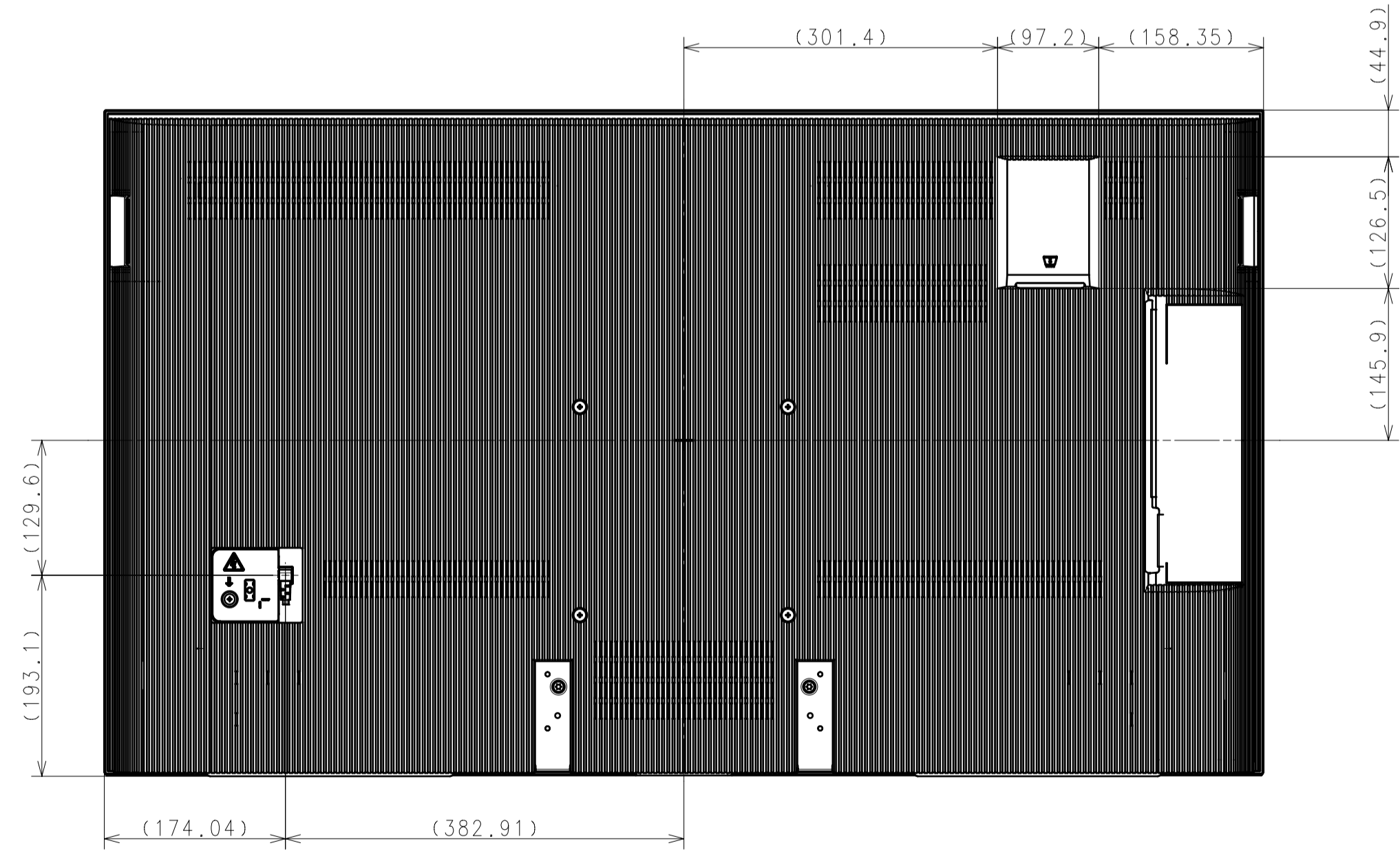
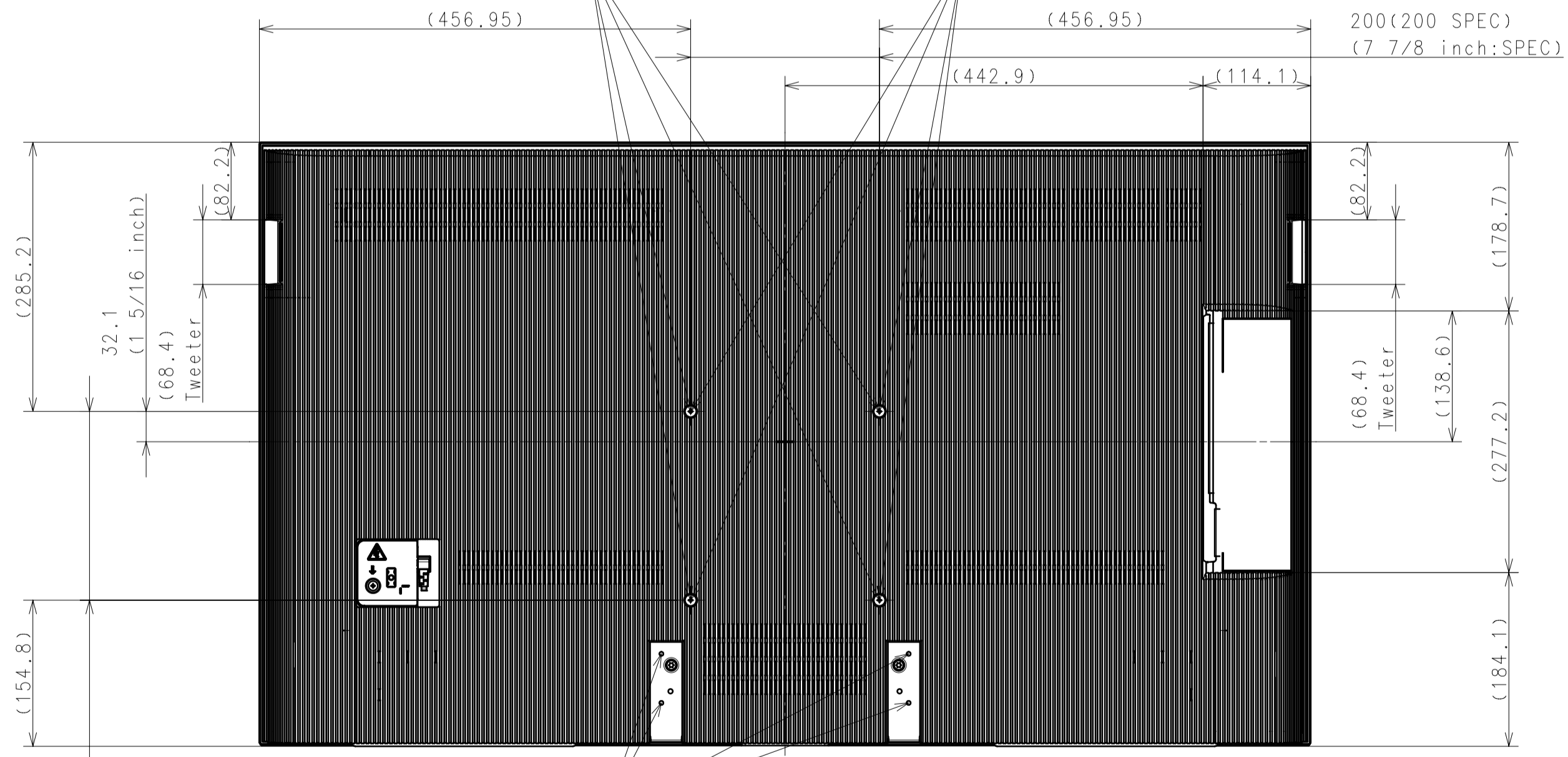


TV only



M6 HOLES FOR WALL MOUNT BRACKET  
 \*REFER TO INSTRUCTION MANUAL FOR SCREW LENGTH INFORMATION

M6 HOLES FOR SECURING HARDWARE.  
 (BELT, ROPE OR CHAIN)

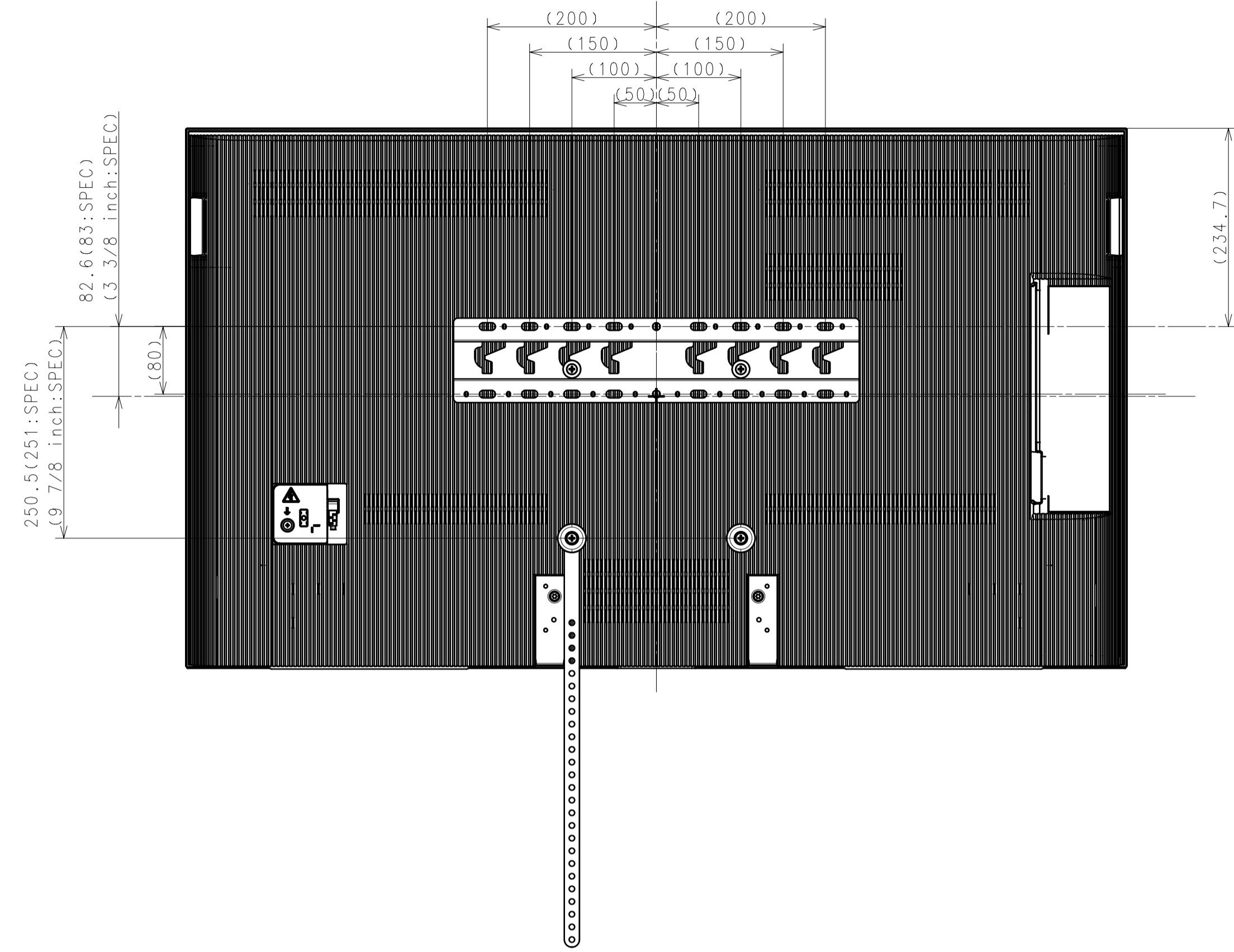


DESCRIPTION 1	LEGAL OWNER	SCALE
50(XR70M2) EXTERIOR VIEW	Sony Corporation	1:5
DESCRIPTION 2	PART NO.	SHEET/PAGES
50(XR70M2) EXTERIOR VIEW		2 / 3

SU-WL450

STANDARD

SLIM



116(116:SPEC)  
(4 5/8 inch:SPEC)

74.2(75:SPEC)  
(3 inch:SPEC)

405.3(406:SPEC)  
(16 inch:SPEC)

405.3(406:SPEC)  
(16 inch:SPEC)

DESCRIPTION1 50(XR70M2) EXTERIOR VIEW	LEGAL OWNER Sony Corporation	SCALE 1:5
DESCRIPTION2 50(XR70M2) EXTERIOR VIEW	PART NO.	SHEET/PAGES 3 / 3